

## Europe

### Italy

CHINT Electrics Europe S.R.L.

Add: Via A. Pacinotti 28, 30033 Noale (VE)  
Tel: 0039 335 6265 032  
E-mail: chint\_eu@chint.com

### Czech Republic

NOARK Electric Europe s.r.o.

Add: Sezemická 2757/2, 193 00 Prague  
Tel: +420 226 203 120  
Email: Europe@noark-electric.com  
www.noark-electric.eu

## North America

### United States

NOARK Electric (USA) Inc.

Add: 2188 Pomona Blvd., Pomona, CA 91767  
Tel: 626-330-7007  
Fax: 626-330-8035  
E-mail: nasales@noark-electric.com  
na.noark-electric.com

## West Asia & Africa

### U.A.E

CHINT West Asia & Africa FZE

Add: Office NO. LB182406, P.O.Box:263174, Jebel Ali, Dubai,  
United Arab Emirates  
Tel: 00971-48848286  
Fax: 00971-48848287  
E-mail: chintwaa@chint.com

### Spain

CHINT Electrics S.L.

Add: Calle José Echegaray, Num 8, Parque Empresarial Las Rozas  
Edificio 3, Planta 1º, Oficina 3.C.P: 28232 Las Rozas (Madrid)  
Tel: 0034 91 636 59 98  
Fax: 0034 91 645 95 82  
E-mail: info@chintelectrics.es

### Russia

ООО «Чинт Электрик»

Адрес: РФ, 109089, г. Москва, ул. Угрешская, д.2, стр.3, оф.17  
Тел.: +7 495 665 6340  
Факс: +7 495 665 6340  
Email: cis@chint.com

## Latin America

### Brazil

CHINT Electrics South America Ltd

Add: Avenida Paulista nº 2073 – Conjunto Nacional – Edifício Horsa 1-  
Conjunto Room 1407/1408, Sao Paulo 01311-300  
Tel: 0055-11-3266-7654  
Fax: 0055-11-3142-9601  
E-mail: chintlatinamerica@chint.com, ljxie@chint.com

## Asia Pacific

### China

Zhejiang CHINT Electrics Co.,Ltd

Add (Shanghai) : Bldg.2, No.3255 Sixian Road, Songjiang 201614 P.R.China  
Tel: 0086-21-67777706  
Fax: 0086-21-67777777-88225  
E-mail: asiapacific@chint.com, lwgen@chint.com



**CHINT**  
CHINT ELECTRIC

ZHEJIANG CHINT ELECTRICS CO.,LTD.

Add: No. 1, CHINT Road, CHINT Industrial Zone, North Baixiang,  
Yueqing, Zhejiang, 325603, P.R.China  
Tel: +86-4001177797  
Fax: +86-577-62775769 62871811  
E-mail: AsiaPacific@chint.com lwgen@chint.com  
Website: http://next.chint.com/



© CHINT Electric All Rights Reserved

Recycle Paper Printed

Specifications and technical data are subject to change without notice.  
Please contact us to confirm relevant information on ordering



May 2017

© CHINT . NO . EN K02

**CHINT** | Next  
CHINT ELECTRIC | series

The Next Reliable Choice

# Moulded Case Circuit Breaker

# CHINT•Empower the World



Founded in 1984, CHINT Group is a leader in Chinese industrial electric appliance and new energy sectors. With total assets of 36.5 billion RMB and nearly 30 thousand employees, the company is running business that covers the whole power equipment industrial chain including power generation, transmission, transformation, distribution, and consumption. The company is also operating in the fields of urban rail traffic, energy equipment manufacturing, new energy storage materials, Energy Internet, investment & financing platform, and business incubator. The products have been sold to over 120 countries and regions around the world, and have entered main component markets in Europe, Asia, Middle East, and Africa.

The group ranks among top 500 private enterprises in China, and has been the largest tax payer among all manufacturers in Wenzhou for a few consecutive years. Zhejiang CHINT Electric Appliance Corporation under CHINT Group is the largest company in domestic LV electric appliance industry in terms of production and sales amount, and also the first company running LV electric appliance as main business listed in A-share market. CHINT Solar has built over a hundred photovoltaic power stations around the world, serving as the largest photovoltaic power station investor and operator in all domestic private players.

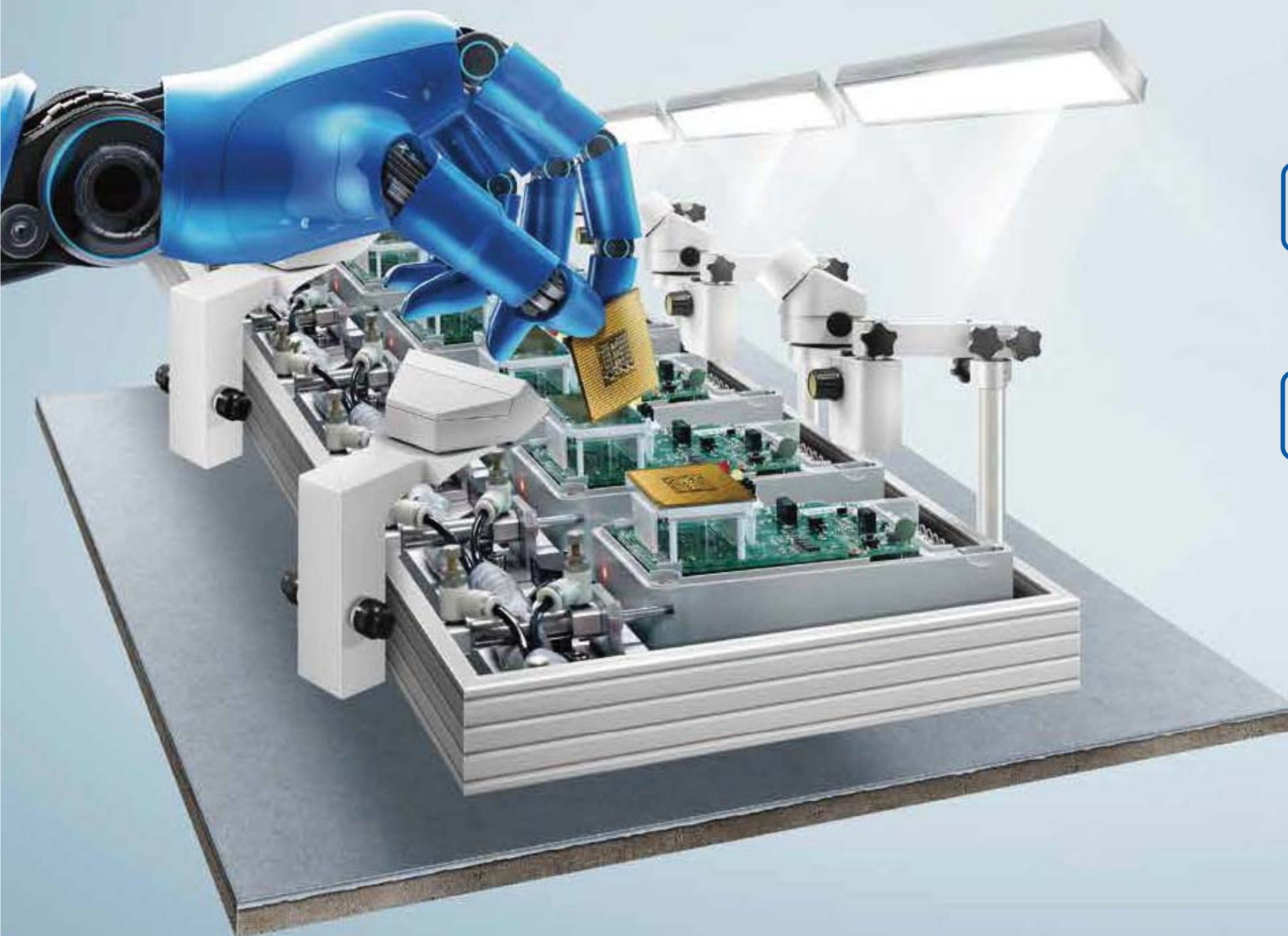
CHINT has always following the policies of innovation-driven industrial development. It's the first among all competitors to pass ISO9001 quality system certification, ISO 14001 environment system certification, and OHSAS18001 occupational health safety management certification. The group also holds China Compulsory Certificate (CCC), international CB safety certificate, US UL certificate, Finland FI certificate, Belgium CEBEC certificate, Netherland KEMA certificate, and Germany VDE certificate. The group now owns over 1000 domestic and foreign patents, and has led or participate in establishment and revision of over 120 industrial standards. Its HV and LV electric appliances and photovoltaic inverters won Germany Wed Dot Award. CHINT led development of critical manufacturing equipment PECVD, LPCVD, and MOCVD for China's first silicon based thin film photovoltaic cells, which has significantly improved semiconductor equipment manufacturing level in China.

The group has won a number of awards including China Industrial Award, National Quality Management Award, China Excellent Private Science & Technology Enterprise, China Top Ten Machinery Manufacturers with Core Competitiveness, China Top Ten Leading Private Enterprises with Independent Innovation Capabilities, China Contract-Fulfilling and Trustworthy Enterprise, National Advanced Private Enterprise for Employment and Social Security, and China Charity Award.

In the future, CHINT will march towards the targets of creating world famous brands and contributing to an industrial power. It will focus on building the Energy Internet and becoming a smart energy developer and operator. The group will make great efforts to implement three policies: globalization, M&A and integration, and smart manufacturing. Four platforms will be created, including scientific innovation and industrial incubation platform, online industrial and civil Internet of Things platform, online & offline supply chain interaction platform, and investment & financing and payment platform. Four industrial clusters will also be developed, including smart electrical system solution industrial cluster for smart grid, industrial automation information cluster for smart cities, clean energy, environment protection, and energy conservation industrial cluster for smart micro-grid, high-tech material information technology and high-end equipment industrial cluster for smart manufacturing, and Internet of Things IT and smart home industrial group for smart business.

# The brand-new electronic release

Manage fault accurately  
Operate more efficiently and reliably



## Moulded Case Circuit Breaker



Detailed division of frame size, with more options

Select the most suitable frame size, increase the product cost performance and reduce costs of using.



The brand-new electronic release, provide more accurate circuit protection

The all-new electronic release can deal with the hidden fault more accurately, with a more convenient parameters setting.



Dual insulation design, for a more convenient maintenance

Enhance the insulating capacity of the product, allowing the accessories installation, which make the maintenance more safe and efficient.



With a USB port for better human-machine interaction

Connected with PC devices through the USB port, lets you manage functions such as data reading, parameter setting, on-line detection and failure recording.



Absolute adaptability, with steady and reliable operation in extreme conditions

-35°C/+70°operating temperature range. Meets several applications requirements.

# Content

  
**NXM series moulded case circuit breaker** P-01**Overview** P-03**Product selection** P-09**Code of inner accessories** P-17**Functions and features** P-27

Technical parameters P-27

Protection feature P-35

Accessories P-45

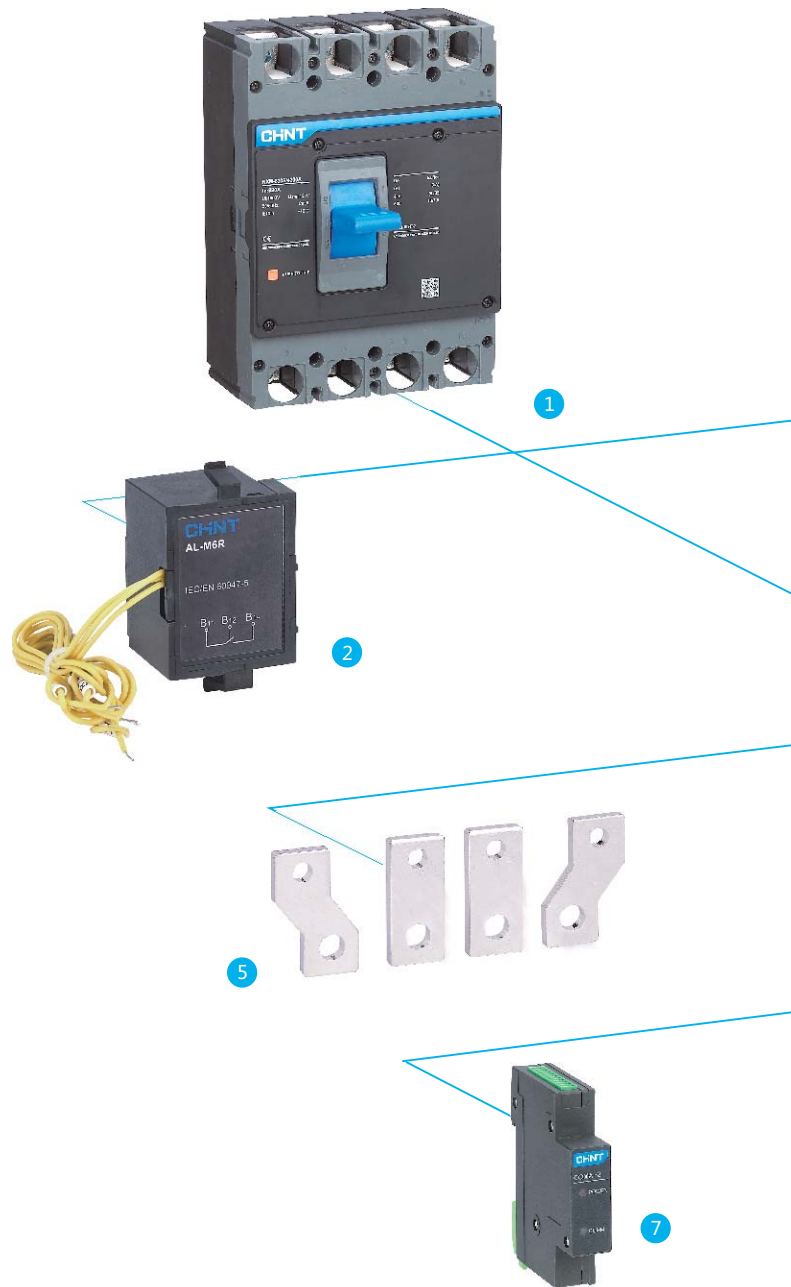
Complementary technical data P-53

**Dimensions and installation** P-55**Tripping curves** P-74

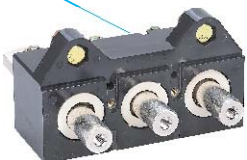
# NXM series moulded case circuit breaker

## Accessories

- 1 Body
- 2 Alarm contact (optional)
- 3 Motor-driven mechanism (optional)
- 4 Auxiliary contact (optional)
- 5 Connection plate (optional)
- 6 Shunt release (optional)
- 7 Communication module(optional)
- 8 Rear connection plate (optional)
- 9 Under voltage release (optional)
- 10 Interphase barrier (standard)
- 11 Plug-in basement(optional)
- 12 Handheld test module(optional)
- 13 Manual operation mechanism (optional)



# NXM series moulded case circuit breaker



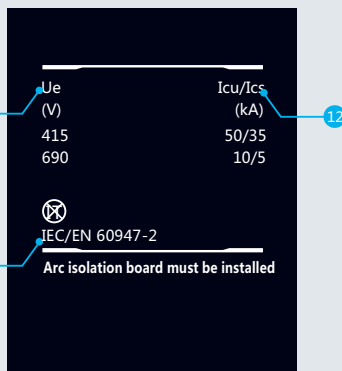
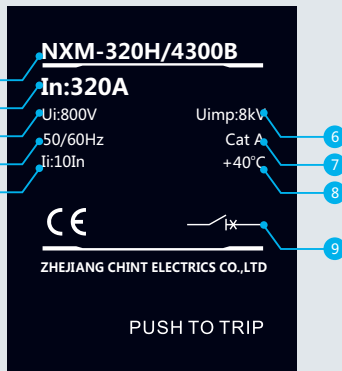
# Overview



NXM-320H/4300B



NXMS-320H/3300



NXM Nameplate of thermomagnetic stationary molded case circuit breaker

## NXM series moulded case circuit breaker

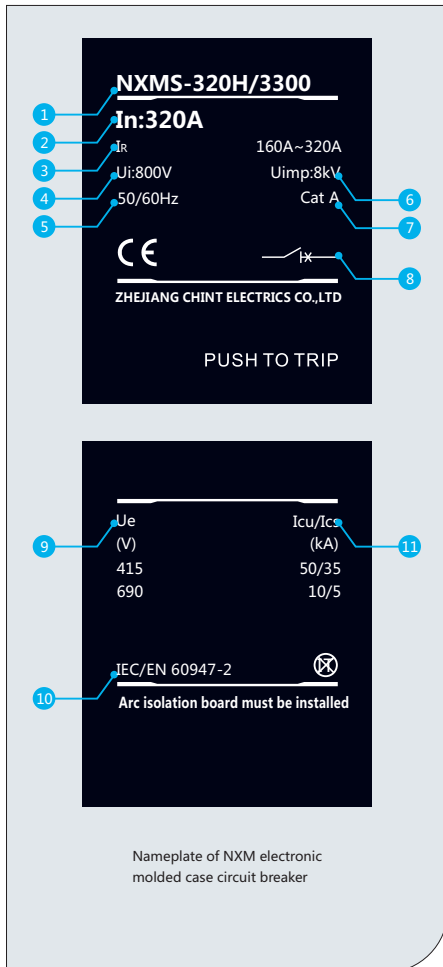
### Breaker

The moulded case circuit breaker will provide protection for the circuit and equipment in case of overload, short circuit and under voltage condition occurred in the power distribution circuit. Besides, it can also provide protection of overload, short circuit and under voltage for the non-frequent start of motor.

- Frame size:  
 NXM series moulded case circuit breaker: 63A, 125A, 160A, 250A, 320A, 400A, 630A, 800A, 1000A, 1600A  
 NXMS series electronic breaker: 160A, 250A, 320A, 400A, 630A, 1000A, 1600A
- Rated operational voltage: Ue (VAC): 400/415/690
- Breaking capacity code: E,S,F,H
- Number of poles: 2P, 3P, 4P
- Release type:thermal magnetic fixed type; magnetic adjustable type; electronic type.
- Installation method: Fixed type; plug-in type

### Nameplate interpretation

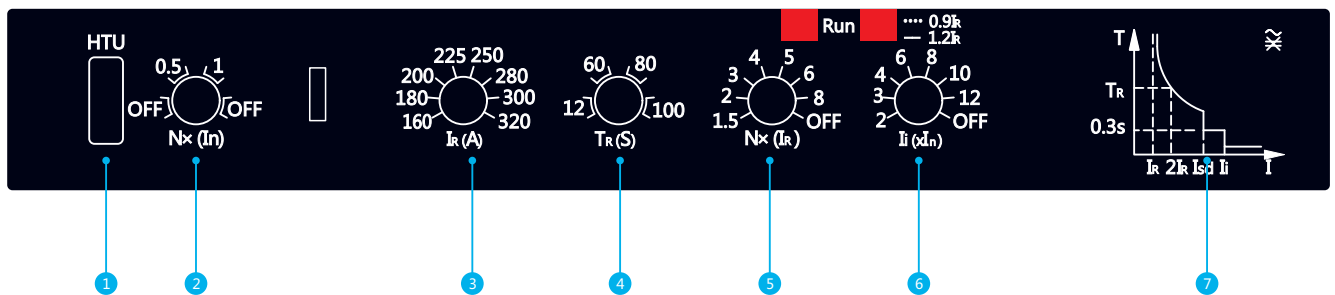
- 1 Product type: Frame size; breaking capacity; poles number
- 2 In: Rated operational current
- 3 Ui: Rated insulation voltage
- 4 Frequency of A.C.
- 5 Ii: 10In: Multiple of current of transient behavior
- 6 Uimp: Rated impulsive withstand voltage
- 7 Cat A: Utilization category of breaker
- 8 +40°C: Ambient temperature
- 9 Electrical symbol for circuit breaker with isolating function
- 10 Ue: Rated operational voltage
- 11 The product is in conformity with standard IEC/EN 60947.2
- 12 Icu/Ics: Ultimate short circuit breaking capacity/Service short circuit breaking capacity



- 1 Product type: Frame size; breaking capacity; poles number
- 2 In: Rated operational current
- 3 Ir: Long-time-delay setting current range
- 4 Ui: Rated insulation voltage
- 5 Frequency of A.C.
- 6 Uimp: Rated impulsive withstand voltage
- 7 Cat A: Utilization category of breaker
- 8 Electrical symbol for circuit breaker with isolating function
- 9 Ue: Rated operational voltage
- 10 The product is in conformity with standard IEC/EN 60947.2
- 11 Icu/Ics: Ultimate short circuit breaking capacity/Service short circuit breaking capacity

Nameplate of NXM electronic molded case circuit breaker

## Electronic release



- 1 PTU interface
- 2 Neutral pole protection current setting, with 2 steps of current that is adjustable and can be turned off (OFF)
- 3 Rated current setting with 8 steps
- 4 Long-time-delay (S) setting with 4 steps
- 5 Short-time-delay current I<sub>sd</sub> setting with 7 steps that is adjustable and can be turned off (OFF)
- 6 Instantaneous action current I<sub>i</sub> setting with 7 steps and that can be turned off (OFF)
- 7 Current-time protection curve

# Overview



NXMLE-320S/4300A

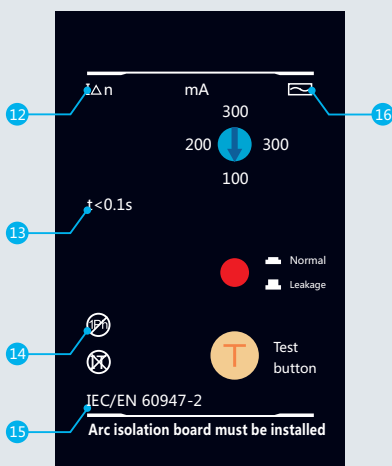
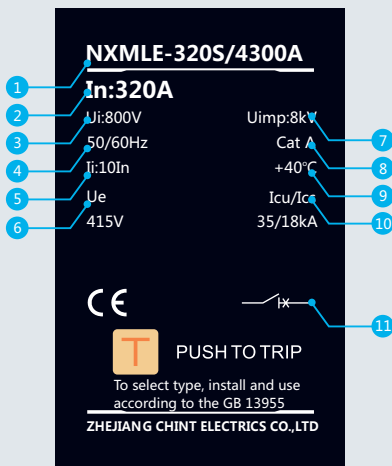
## NXMLE series residual current circuit breaker

### Residual current operated protection breaker

Residual current circuit breakers are used mainly to provide protection against leakage current which may cause insulation failure, electric shock to equipment and human body irrespectively along with the standard protection against over load & short circuit condition.

- Frame size: 125A, 160A, 250A, 320A, 400A, 630A, 800A
- Rated operational voltage:  $U_e$ (V AC): 400/415
- Breaking capacity code: S, H
- Number of poles: 1PN, 2P, 3P, 3PN, 4P
- Installation method: fixed type; plug-in type

### Nameplate interpretation

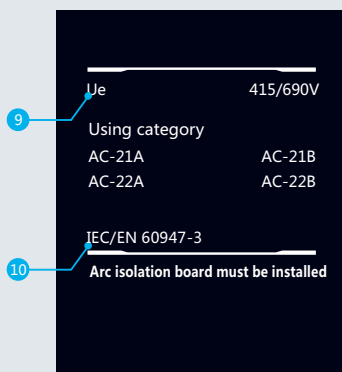
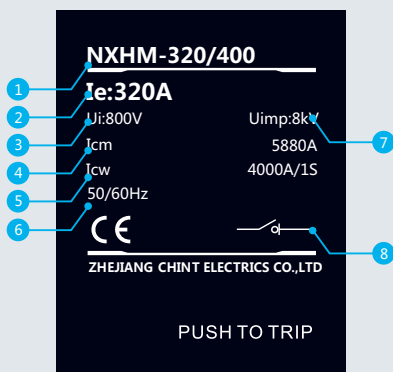


Nameplate of NXMLE residual current circuit breaker

- 1 Product type: Frame size, breaking capacity, poles number
- 2 In: Rated operational current
- 3  $U_i$ : Rated insulation voltage
- 4 Frequency of A.C.
- 5  $I_i$ : 10In: Multiple of current of transient behavior
- 6  $U_e$ : Rated operational voltage
- 7  $U_{imp}$ : Rated impulsive withstand voltage
- 8 Cat A: Utilization category of breaker
- 9 +40°C: Ambient temperature
- 10  $I_{cu}/I_{cs}$ : Rated ultimate breaking capacity / Rated service breaking capacity
- 11 Electrical symbol for circuit breaker with isolating function
- 12 Rated residual operating current value
- 13 t: Maximum breaking time
- 14 Only applicable for three-phase power
- 15 The product is in conformity with standard IEC/EN 60947.2
- 16 Leakage current selection (mA)



NXHM-320/400



Nameplate of NXHM disconnecter switch

## NXHM series disconnecter switch

### Disconnecter switch

The disconnecter switch series are mainly used for non-frequent circuit making or breaking circuit in the distribution network.

- Frame size: 63A, 125A, 160A, 250A, 320A, 400A, 630A, 800A, 1000A
- Rated operational voltage: U<sub>e</sub>(VAC): 400/415/690
- Number of poles: 3P, 4P
- Installation method: fixed type; plug-in type

### Installation method: stationary type and plug-in type

- 1 Product type: Frame size; poles number
- 2 I<sub>e</sub>: Rated operational current
- 3 U<sub>i</sub>: Rated insulation voltage
- 4 I<sub>cm</sub>: Rated short-time making capacity
- 5 I<sub>cw</sub>: Rated short-time withstand current
- 6 Frequency of A.C.
- 7 U<sub>imp</sub>: Rated impulsive withstand voltage
- 8 Disconnecter Function as per IEC/EN
- 9 U<sub>e</sub>: Rated operational voltage
- 10 The product is in conformity with standard IEC/EN 60947.3

# Overview

## Compliant with standard



- Product standard
  - IEC 60947-1(General rules)
  - IEC 60947-2(Breaker)
  - IEC 60947-3(switch, disconnecter)
  - IEC 60947-4(motor, drive)
- Use standard in extreme environment
  - IEC 60068-2-1(low temperature)
  - IEC 60068-2-2(dry heat)
  - IEC 60068-2-11(salt mist)
  - IEC 60068-2-30(damp and hot)

## Anti-humid heat capacity



The product has passed the environmental test of dry cold, dry heat, and wet heat and the like. It can operate reliably under extreme environmental conditions.

## Environment temperature



It must calculate according to the temperature compensation coefficient table provided in the sample in the event the temperature is lower than  $-5^{\circ}\text{C}$  or higher than  $40^{\circ}\text{C}$ .

## Altitude and pollution degree



The installation altitude of normal operation is 2000 m and below. In case of higher than 2000m, it must consider the decrease of dielectric strength and colder air. The amendment action shall be implemented according to the altitude derating factor table provided in the sample.



The product can operate reliably in pollution degree III environment defined in IEC 60947-1 and 60664-1 (industrial environment).

## Protection grade



The product is in conformity with the standard requirements of IEC 60529 (enclosure protection grade).  
Product body: protection grade is IP30 (except the wiring terminal position)

- Installation of cabinet door  
Equipped with toggle handle: the protection grade is IP40  
Equipped with rotation handle: the protection grade is IP50  
Equipped with motor-driven mechanism: the protection grade is IP40

# Product selection

## NXM series moulded case circuit breaker

Model definition and description

NXM	-	160	S	P	/	4	300
Product code		Frame size code	Breaking capacity code <sup>2)</sup>	Operation way code		Number of poles code	Code of release type and inner accessories <sup>3)</sup>
NXM: moulded case circuit breaker		63A	S:25kA F:35kA H:50kA	No code: direct handle operation  P: motor operation  Z: rotary handle operation	2: 2 poles 3: 3 poles 4: 4 poles	First number represents the release type 2: only magnetic type 3: thermal magnetic type  The second number and the third number are codes of inner accessories	
		125A					
		160A	E:20kA S:35kA F:35kA H:50kA				
		250A					
		320A					
		400A	S:50kA F:50kA H:70kA				
		630A					
		800A					
		1000A	S:50kA H:70kA				
		1600A					

Model selection examples:

NXM-160S P/4300 2 A G 100 R: To order one moulded case circuit breaker with 160A frame size, 25kA breaking capacity, thermal adjustable and magnetic fixed release, with motor-driven mechanism, 4 poles, with no inner accessories, motor protection, the category of four poles is A, with overload alarm non-tripping function. The rated current is 100A and rear connection.

Note: <sup>1)</sup> the rated current of each frame can be seen in table 1.

<sup>2)</sup> The corresponding poles number and breaking capacity related to frame size can be seen in table 2.

<sup>3)</sup> For tripping method and inner accessories, see page 17-20.

Comparison table of frame sizes and rated current

Rated current (A)	25	32	40	50	63	80	100	125	160	180	200	225	250	280
63	■	■	■	■	■	■	■	■	■					
125	■	■	■	■	■	■	■	■	■					
160	■	■	■	■	■	■	■	■	■	■				
250									■	■	■	■	■	
320											■	■	■	■
400														
630														
800														
1000														
1600														

Comparison table of frame sizes, number of poles and breaking capacity

Frame size (A)	63			125			160			250			320		
Number of poles	2P	3P	4P	2P	3P	4P	2P	3P	4P	2P	3P	4P	2P	3P	4P
Code of breaking capacity	E	-	-	-	-	-	-	■	■	-	■	■	-	■	■
	S	■	■	■	■	■	■	■	■	■	■	■	■	■	■
	F	-	■	■	-	■	■	-	■	■	-	■	■	-	■
	H	-	■	■	-	■	■	-	■	■	-	■	■	-	■

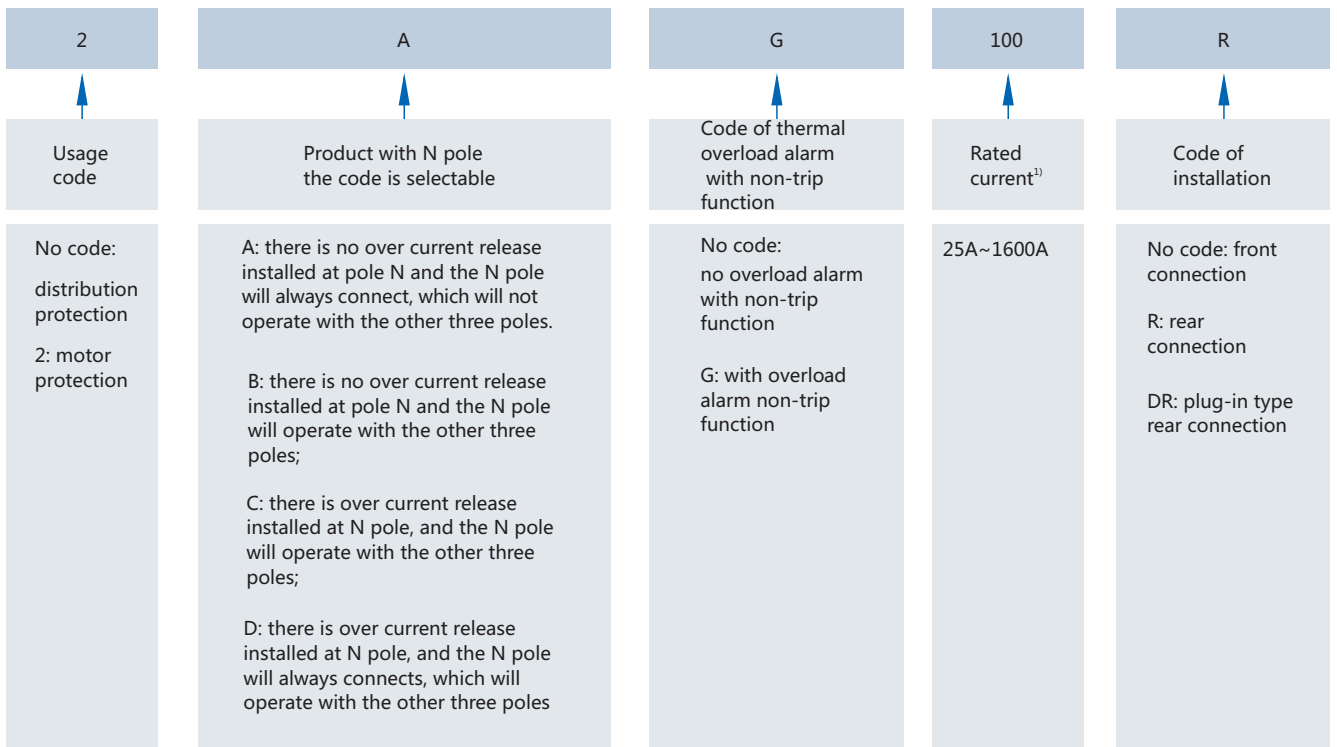


Table 1

	225	250	280	315	320	350	400	500	630	700	800	900	1000	1250	1600
	■	■													
	■	■	■		■										
				■	■	■	■	■	■						
									■	■	■				
											■	■	■	■	■

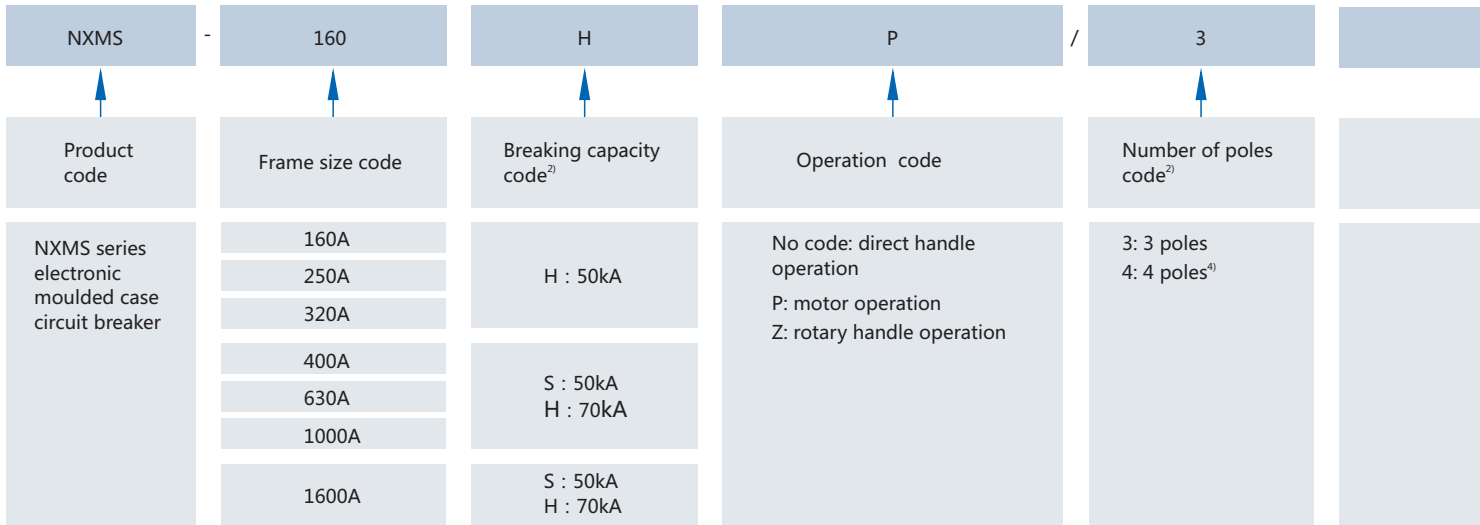
Table 2

	400			630			800			1000			1600		
	2P	3P	4P	2P	3P	4P	2P	3P	4P	2P	3P	4P	2P	3P	4P
	-	-	-	-	-	-	-	-	-	-	-	-	-	-	-
	-	■	■	-	■	■	-	■	■	-	■	■	-	■	■
	-	■	■	-	■	■	-	-	-	-	-	-	-	-	-
	-	■	■	-	■	■	-	■	■	-	■	■	-	■	■

# Product selection

## NXMS series electronic moulded case circuit breaker

Description



Model selection examples:

NXMS-160H P/3300 2 T 125R: To order one electronic moulded case circuit breaker with frame size 160 , 50kA breaking capacity, with motor-driven mechanism, 3 poles, with no inner accessories, electronic release type, motor protection, with communication module.

The rated current is 125A and the installation method is rear connection.

Note: <sup>1)</sup> the rated current of each frame can be seen in table 3.

<sup>2)</sup> The corresponding poles number and breaking capacity related to each frame size can be seen in table 4.

<sup>3)</sup> For tripping method and inner accessories, see page 21-22.

<sup>4)</sup> The type of neutral pole (N pole) is: there is over current release installed at N pole and N pole will operate with the other three poles together (N pole will connect at first and then disconnect).

Comparison table frame size and rated current

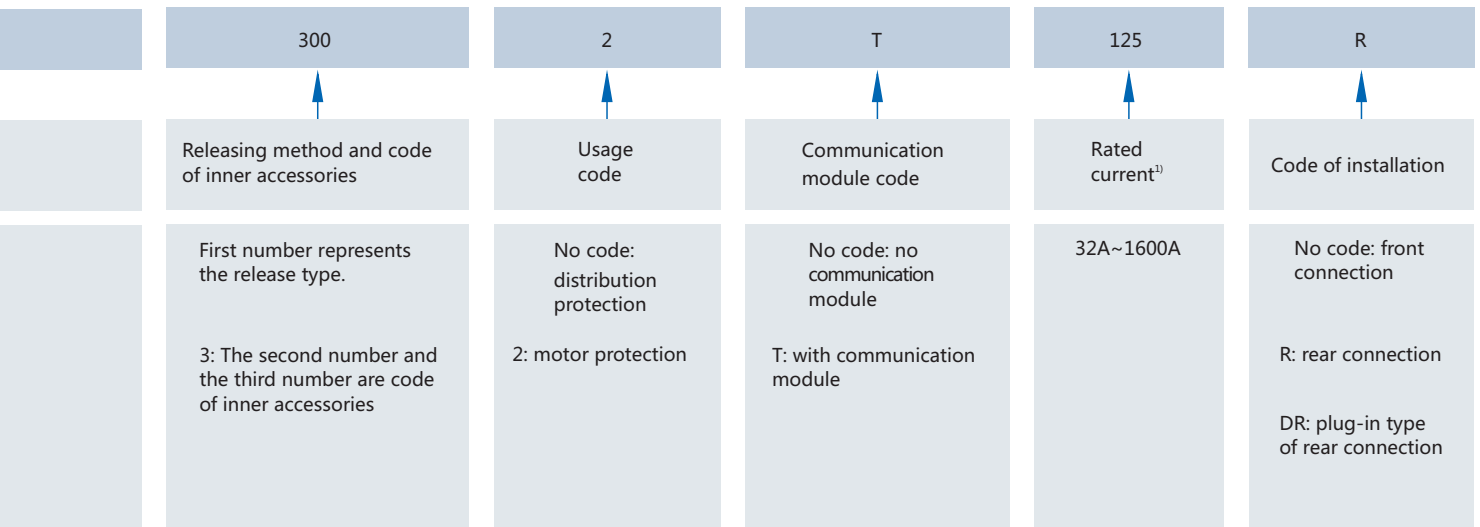
Table 3

Rated current(A)	32	63	125	160	250	320	400	630	800	1000	1600
Frame size(A)	160	■	■	■	■						
	250					■					
	320						■				
	400							■			
	630								■		
	1000									■	■
	1600										

Comparison table of frame size, number of poles and breaking capacity

Table 4

Frame size(A)		160		250		320		400		630		1000		1600	
Number of poles		3P	4P	3P	4P	3P	4P	3P	4P	3P	4P	3P	4P	3P	4P
Code of breaking capacity	S	-	-	-	-	-	-	■	■	■	■	■	■	■	■
	H	■	■	■	■	■	■	■	■	■	■	■	■	■	■



# Product selection

## NXMLE series residual current circuit breaker

Description

NXMLE	-	125	H	P	/	3	300	2	
Product code		Frame size code	Breaking capacity code <sup>2)</sup>	Code of operation mode		Code of poles number	Releasing method and code of inner accessories <sup>3)</sup>	Usage code	
NXMLE: residual current circuit breaker		125A	S : 25kA H : 35kA	No code: direct handle operation  P: motor operation  Z: rotary handle operation		1PN 2P 3P 3PN 4P	First number represents the release type. only magnetic type 2: type6)  3: thermal magnetic type The second number and the third number are codes of accessories	No code distribution protection  2: motor protection	
		160A							
		250A	S : 35kA H : 50kA						
		320A							
		400A <sup>6)</sup>	S : 50kA H : 75kA						
		630A <sup>6)</sup>							
		800A <sup>6)</sup>	S : 50kA H : 70kA						

Model selection examples:

NXMLE-125H P/4300 2 A 100 J A Y R: To order one residual current circuit breaker with 125A frame size, 35kA breaking capacity, with motor-driven mechanism, 3 poles, thermal magnetic fixed type release, with no inner accessories, motor protection, the code of N pole is A.

The rated current is 100A with electric leakage alarm non-trip function, and the residual current value is A (30/50/100). It is delay type and rear connection.

Comparison table of frame size and rated current

Rated current (A)	25	32	40	50	63	80	100	125	160	180
Frame size (A)	125	■	■	■	■	■	■	■	■	
	160							■	■	
	250								■	■
	320									
	400									
	630									
	800									

Comparison table of frame size, poles number and breaking capacity

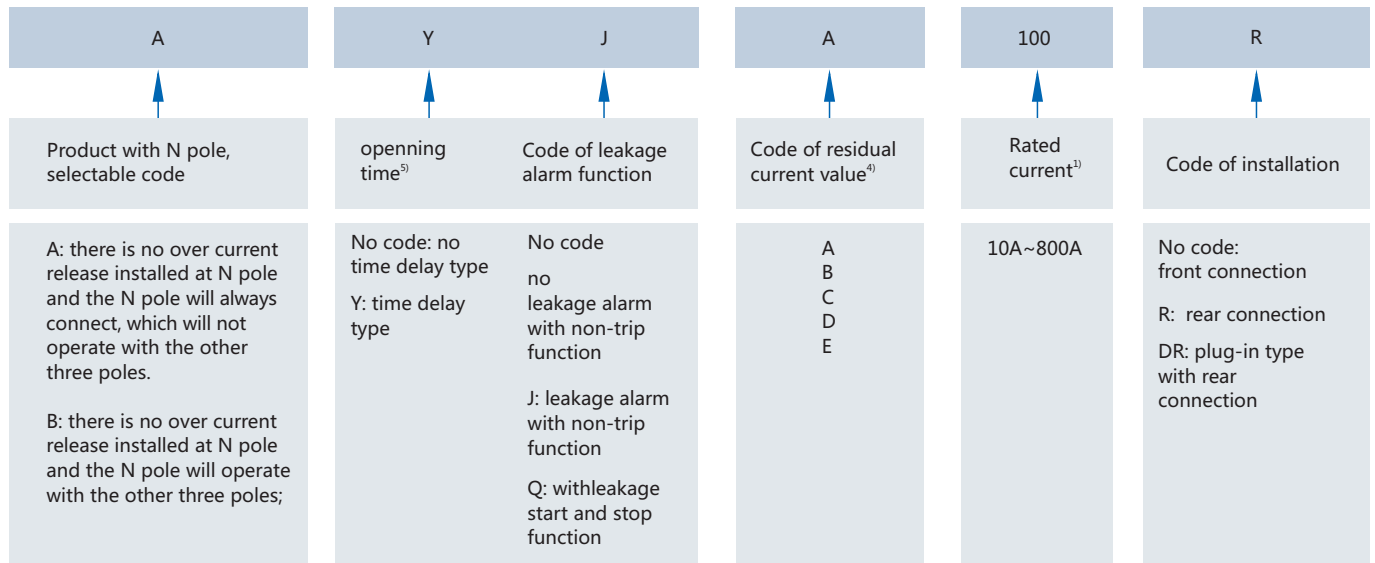
Frame size (A)		125			160			250		
Number of poles		1PN/2P	3P	3PN/4P	1PN/2P	3P	3PN/4P	1PN/2P	3P	3PN/4P
Code of breaking capacity	S	■	■	■	■	■	■	■	■	■
	H	-	■	■	-	■	■	-	■	■

Comparison table of frame size and residual current value and code

Frame size (A)		125	160	250
Fixed single grade, non-delay type	Residual current value and code (mA)	30/50/100/200/300/500	30/50/100/200/300/500	30/50/100/200/300/500
Adjustable 3 grades, non-delay type		A: 30/50/100	A: 30/50/100	A: 30/50/100
		B: 50/100/200	B: 50/100/200	B: 50/100/200
		C: 100/200/300	C: 100/200/300	C: 100/200/300
		D: 200/300/500	D: 200/300/500	D: 200/300/500
Fixed single grade, delay type		50/100/200/300/500	50/100/200/300/500	50/100/200/300/500
Adjustable 3 grades, delay type		B: 50/100/200	B: 50/100/200	B: 50/100/200
		C: 100/200/300	C: 100/200/300	C: 100/200/300
		D: 200/300/500	D: 200/300/500	D: 200/300/500
		-	-	-

Comparison table of frame size and maximum opening time

Frame size (A)	125	160	250
Non-delay type (s)	≤0.1	≤0.1	≤0.1
Delay type Y (s)	0.3/0.4/0.5	0.3/0.4/0.5	0.3/0.4/0.5



Note : <sup>1)</sup> See table 5 for rated current included in each frame size

<sup>2)</sup> See table 6 for corresponding poles, breaking capacity.

<sup>3)</sup> See page 23-24 for release type and inner accessories.

<sup>4)</sup> As for the un-adjustable type, mark the residual current value directly; for the adjustable type, mark the code.

<sup>5)</sup> See table 8 for opening time.

Table 5

	200	225	250	280	315	320	350	400	500	630	700	800
	■	■	■	■	■	■	■	■	■	■	■	■
			■	■	■	■	■	■	■	■	■	■
					■	■	■	■	■	■	■	■
								■	■	■	■	■
										■	■	■

Table 6

	320			400		630		800	
	1PN/2P	3P	3PN/4P	3P	3PN/4P	3P	3PN/4P	3P	3PN/4P
	■	■	■	■	■	■	■	■	■
	-	■	■	-	■	■	■	■	■

Table 7

	320	400	630	800
	30/50/100/200/300/500	50/100/200/300/500/1000	50/100/200/300/500/1000	50/100/200/300/500/1000
	A: 30/50/100	B: 50/100/200	B: 50/100/200	B: 50/100/200
	B: 50/100/200	C: 100/200/300	C: 100/200/300	C: 100/200/300
	C: 100/200/300	D: 200/300/500	D: 200/300/500	D: 200/300/500
	D: 200/300/500	E: 300/500/1000	E: 300/500/1000	E: 300/500/1000
	50/100/200/300/500	50/100/200/300/500/1000	50/100/200/300/500/1000	50/100/200/300/500/1000
	B: 50/100/200	B: 50/100/200	B: 50/100/200	B: 50/100/200
	C: 100/200/300	C: 100/200/300	C: 100/200/300	C: 100/200/300
	D: 200/300/500	D: 200/300/500	D: 200/300/500	D: 200/300/500
	-	E: 300/500/1000	E: 300/500/1000	E: 300/500/1000

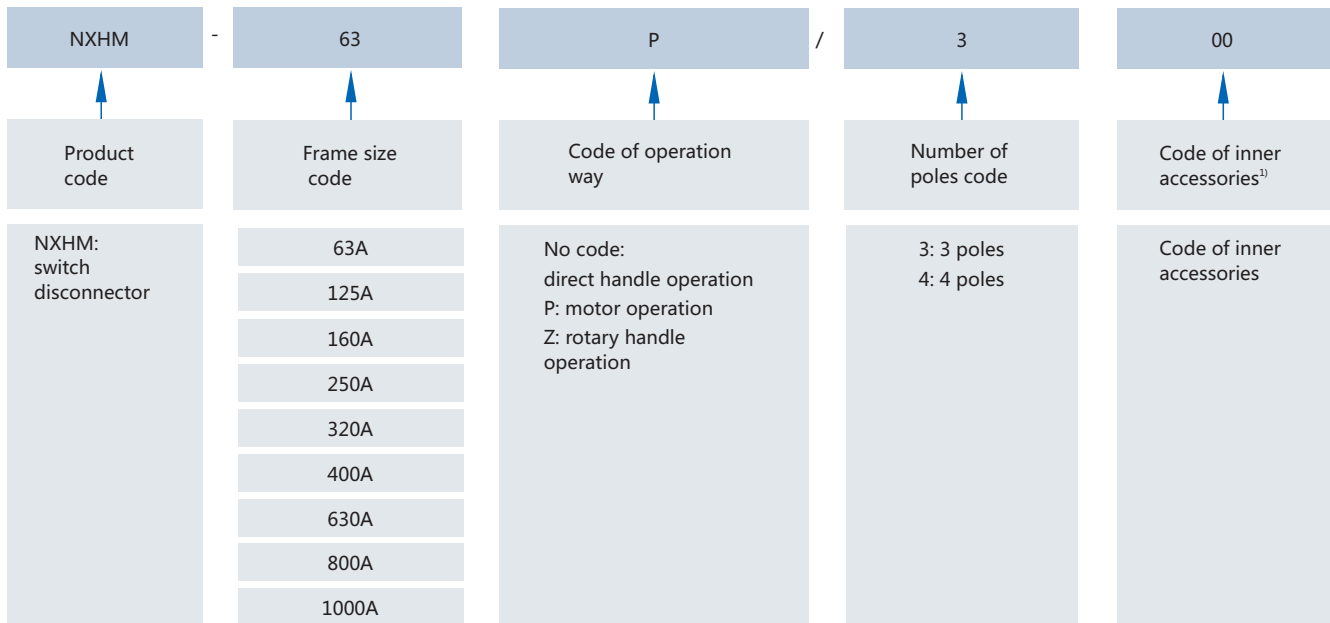
Table 8

	320	400	630	800
	≤0.1	≤0.1	≤0.1	≤0.1
	0.3/0.4/0.5	0.3/0.4/0.5	0.3/0.4/0.5	0.3/0.4/0.5

# Product selection

## NXHM series switch disconnecter

Description



Model selection examples:

NXHM-63 P/300 : To order one disconnecter switch with 63A frame size, with motor-driven mechanism, 3 poles, with no inner accessories rear connection.

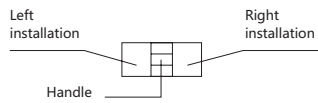
Note: <sup>1)</sup> See page 25-26 of product sample for inner accessories code. The number code "00" can be omitted in case of no inner accessories.



# Code of inner ccessories

NXM series moulded case circuit breaker,code of inner accessories

□ Alarm contact, ■ Auxiliary contact, ● Shunt release, ○ Under voltage release, ▲ Special release for prepaid ammeter.



Accessories name	Accessories code		NXM-63S NXM-125S		NXM-63H NXM-125H	
	Only magnetic	Thermal magnetic release	3P	4P	3P	4P
No inner accessories	200	300				
Alarm contact	208	308				
Shunt release	210	310				
Special release for prepaid ammeter	210Y	310Y				
Auxiliary contact (1NO1NC)	220	320				
Auxiliary contact (2NO2NC)						
Under voltage release	230	330				
Shunt release, auxiliary contact (1NO1NC)	240	340				
Shunt release, auxiliary contact (2NO2NC)						
Special release for prepaid ammeter auxiliary contact	240Y	340Y				
Under voltage release, shunt release	250	350				
Special release for prepaid ammeter, under voltage release	250Y	250Y				
Two groups of auxiliary contact (2NO2NC)	260	360				
Under voltage release, auxiliary contact (1NO1NC)	270	370				
Under voltage release, auxiliary contact (2NO2NC)						
Shunt release, alarm contact	218	318				
Special release for prepaid ammeter, alarm contact	218Y	318Y				
Auxiliary contact (1NO1NC), alarm contact	228	328				
Auxiliary contact (2NO2NC), alarm contact						
Under voltage release, alarm contact	238	338				
Shunt release, auxiliary contact (1NO1NC), alarm contact	248	348				
Special release for prepaid ammeter, alarm contact, auxiliary contact	248Y	348Y				
Two groups of auxiliary contact (2NO2NC), alarm contact	268	368				
Under voltage release, auxiliary contact (1NO1NC), alarm contact	278	378				

# Code of inner ccessories

	NXM-160S		NXM-160H	
	3P	4P	3P	4P

# Code of inner accessories

(Continued from the table above)

Accessories name	Accessories code		NXM-250S NXM-320S		NXM-250H NXM-320H	
	Only magnetic	Thermal magnetic release	3P	4P	3P	4P
No inner accessories	200	300				
Alarm contact	208	308				
Shunt release	210	310				
Special release for prepaid ammeter	210Y	310Y				
Auxiliary contact (1NO1NC)	220	320				
Auxiliary contact (2NO2NC)						
Under voltage release	230	330				
Shunt release, auxiliary contact (1NO1NC)	240	340				
Shunt release, auxiliary contact (2NO2NC)						
Special release for prepaid ammeter, auxiliary contact	240Y	340Y				
Under voltage release, shunt release	250	350				
Special release for prepaid ammeter, under voltage release	250Y	250Y				
Two groups of auxiliary contact (2NO2NC)	260	360				
Under voltage release, auxiliary contact (1NO1NC)	270	370				
Under voltage release, auxiliary contact (2NO2NC)						
Shunt release, alarm contact	218	318				
Special release for prepaid ammeter, alarm contact	218Y	318Y				
Auxiliary contact (1NO1NC), alarm contact	228	328				
Auxiliary contact (2NO2NC), alarm contact						
Under voltage release, alarm contact	238	338				
Shunt release, auxiliary contact (1NO1NC), alarm contact	248	348				
Special release for prepaid ammeter, alarm contact, auxiliary	248Y	348Y				
Two groups of auxiliary contact (2NO2NC), alarm contact	268	368				
Under voltage release, auxiliary contact (1NO1NC), alarm contact	278	378				

# Code of inner accessories

	NXM-400S/H NXM-630S/H		NXM-800S/H NXM-1000S/H		NXM-1600S/H	
	3P	4P	3P	4P	3P	4P

# Code of inner accessories

NXMS series electronic moulded case circuit breaker, code of inner accessories

Accessories name	Accessories code		NXMS-160H	
	Only magnetic	Thermal magnetic release	3P	4P
No inner accessories	200	300		
Alarm contact	208	308		
Shunt release	210	310		
Auxiliary contact (1NO1NC)	220	320		
Auxiliary contact (2NO2NC)				
Under voltage release	230	330		
Shunt release, auxiliary contact (1NO1NC)	240	340		
Shunt release, auxiliary contact (2NO2NC)				
Under voltage release shunt release	250	350		
Two groups of auxiliary contact (2NO2NC)	260	360		
Under voltage release, auxiliary contact (1NO1NC)	270	370		
Under voltage release, auxiliary contact (2NO2NC)				
Shunt release, alarm contact	218	318		
Auxiliary contact (1 NO1NC), alarm contact	228	328		
Auxiliary contact (2 NO2NC), alarm contact				
Under voltage release, alarm contact	238	338		
Shunt release, auxiliary contact (1NO1NC), alarm contact	248	348		
Two groups of auxiliary contact (2NO2NC), alarm contact	268	368		
Under voltage release, auxiliary contact (1NO1NC), alarm contact	278	378		

# Code of inner accessories

	NXMS-250H NXMS-320H		NXMS-400S/H NXMS-630S/H		NXMS-1000S/H		NXMS-1600S/H	
	3P	4P	3P	4P	3P	4P	3P	4P

# Code of inner accessories

NXMLLE series residual current circuit breaker, code of inner accessories

Accessories name	Accessories code		NXMLLE-125S/H		NXMLLE-160S/H		
	Only magnetic	Thermal magnetic release	3P	3PN/4P	3P	3PN/4P	
No inner accessories	200	300					
Alarm contact	208	308					
Shunt release	210	310					
Auxiliary contact (1 NO1NC)	220	320					
Auxiliary contact (2 NO2NC)							
Under voltage release	230	330					
Shunt release, auxiliary contact (1NO1NC)	240	340					
Shunt release, auxiliary contact (2NO2NC)							
Under voltage release, shunt release	250	350					
Two groups of auxiliary contact (2NO2NC)	260	360					
Under voltage release, auxiliary contact (1NO1NC)	270	370					
Under voltage release, auxiliary contact (2NO2NC)							
Shunt release, alarm contact	218	318					
Auxiliary contact (1 NO1NC), alarm contact	228	328					
Auxiliary contact (2 NO2NC), alarm contact							
Under voltage release, alarm contact	238	338					
Shunt release, auxiliary contact (1NO1NC), alarm contact	248	348					
Two groups of auxiliary contact (2NO2NC), alarm contact	268	368					
Under voltage release, auxiliary contact (1NO1NC), alarm contact	278	378					

# Code of inner accessories

	NXMLE-250S/H NXMLE-320S/H		NXMLE-400S/H NXMLE-630S/H		NXMLE-800S/H	
	3P	3PN/4P	3P	3PN/4P	3P	3PN/4P

# Code of inner accessories

NXHM series disconnecter switch, code of inner accessories

Accessories name	Accessories code	NXHM-63 NXHM-125		NXHM-160	
		3P	4P	3P	4P
No inner accessories	00				
Alarm contact	08				
Shunt release	10				
Auxiliary contact (1NO1NC)	20				
Auxiliary contact (2NO2NC)					
Under voltage release	30				
Shunt release, auxiliary contact (1NO1NC)	40				
Shunt release, auxiliary contact (2NO2NC)					
Under voltage release, shunt release	50				
Two groups of auxiliary contact (2NO2NC)	60				
Under voltage release, auxiliary contact (1NO1NC)	70				
Under voltage release, auxiliary contact (2NO2NC)					
Shunt release, alarm contact	18				
Auxiliary contact (1NO1NC), alarm contact	28				
Auxiliary contact (2NO2NC), alarm contact					
Under voltage release, alarm contact	38				
Shunt release, auxiliary contact (1NO1NC), alarm contact	48				
Two groups of auxiliary contact (2NO2NC), alarm contact	68				
Under voltage release, auxiliary contact (1NO1NC), alarm contact	78				

# Code of inner accessories

	NXHM-250 NXHM-320		NXHM-400 NXHM-630		NXHM-800		NXHM-1000	
	3P	4P	3P	4P	3P	4P	3P	4P

# Functions and features

## Technical parameters

### NXM series moulded case circuit breaker

Frame Size, rated current Inm (A)		63			125			160			250					
Rated current In (A), 40°C		25,32,40,50,63			25,32,40,50,63,80,100,125			25,32,40,50,63,80,100,125,160			160,180,200,225,250					
Rated insulation voltage Ui(V)		800			800			800			800					
Rated impulse withstand voltage Uimp(kV)		8			8			8			8					
Rated operational voltage Ue(V), AC50/60Hz		400/415			400/415			400/415/690			400/415/690					
Breaking capacity code		S	F	H	S	F	H	E	S	F	H	E	S	F	H	
Number of poles	2P	■	—	—	■	—	—	—	■	—	—	—	■	—	—	
	3P	■	■	■	■	■	■	■	■	■	■	■	■	■	■	
	4P	■	■	■	■	■	■	■	■	■	■	■	■	■	■	
Rated ultimate short circuit breaking capacity Icu (kA)		AC380/400/415V 25 35 50			25 35 50			20 35 50			20 35 50					
Rated service short circuit breaking capacity Ics (kA)		AC380/400/415V 15 35 35			15 35 35			20 20 35			20 20 35					
In conformity with standards		IEC 60947-2														
Utilization category		A			A			A			A					
Isolation function		■			■			■			■					
Ambient temperature		-35°C~70°C														
Arcing distance		≤50			≤50			≤50			≤50					
Mechanical life (times)	Without maintenance	20000			20000			20000			20000					
	With maintenance	40000			40000			40000			40000					
Electrical life (times)		AC415V, In 10000			10000			10000			10000					
Release type and protection type	Magnetic release (MFT)	Distribution protection	■	■	■	■	■	■	■	■	■	■	■	■	■	
		Motor protection	■	■	■	■	■	■	■	■	■	■	■	■	■	
	Magnetic release(MTU)	Distribution protection	—	—	—	—	■	■	■	■	■	■	■	■	■	
		Motor protection	—	—	—	—	■	■	■	■	■	■	■	■	■	
	Thermal magnetic release (FTU)	Distribution protection	■	■	■	■	■	■	■	■	■	■	■	■	■	
		Motor protection	■	■	■	■	■	■	■	■	■	■	■	■	■	
	Thermal magnetic release(FMU)	Distribution protection	—	—	—	—	■	■	■	■	■	■	■	■	■	
		Motor protection	—	—	—	—	■	■	■	■	■	■	■	■	■	
	Thermal magnetic release(ATU)	Distribution protection	—	—	—	—	■	■	■	■	■	■	■	■	■	
		Motor protection	—	—	—	—	■	■	■	■	■	■	■	■	■	
	Accessories	Auxiliary contact		■	■	■	■	■	■	■	■	■	■	■	■	■
		Alarm contact		■	■	■	■	■	■	■	■	■	■	■	■	■
Auxiliary contact, alarm contact		■	■	■	■	■	■	■	■	■	■	■	■	■		
Shunt release		■	■	■	■	■	■	■	■	■	■	■	■	■		
Under voltage release		■	■	■	■	■	■	■	■	■	■	■	■	■		
Manual operational mechanism		■	■	■	■	■	■	■	■	■	■	■	■	■		
Motor-driven mechanism		■	■	■	■	■	■	■	■	■	■	■	■	■		
Rear connection		■	■	■	■	■	■	■	■	■	■	■	■	■		
Plug-in type		■	■	■	■	■	■	■	■	■	■	■	■	■		
Extending terminal bonding bar		■	■	■	■	■	■	■	■	■	■	■	■	■		
Derivative product	For special use of prepaid ammeter	■	—	■	—	■	—	■	—	■	—	■	—	■	—	
	Overload alarm non-trip	—	—	—	—	■	■	■	■	■	■	■	■	■	■	
Dimension and size(mm)		Width (2P/3P/4P)		56/76/103			56/76/103			63/90/120			78/105/140			
Width (w) X height (H)X depth(D)		Height		130			130			155			165			
		Depth (E/S/F/H type)		-/70/80/80			-/70/80/80			75/75/90.5/90.5			77/77/102/102			



# Functions and features

## Technical parameters

### NXMS series electronic moulded case circuit breaker

Frame size In(A)		160	250	320
Rated current In(A),40°C		32, 63, 125, 160	250	320
Rated insulation voltage Ui(V)		800	800	800
Rated impulse withstand voltage Uimp(kV)		8	8	8
Rated operational voltage Ue(V),AC 50/60Hz		400/415/690	400/415/690	400/415/690
Breaking capacity code		H	H	H
Number of poles	3P	■	■	■
	4P	■	■	■
Rated ultimate short circuit breaking capacity Icu(kA)	AC400/415V	50	50	50
	AC690V	10	10	10
Rated service short circuit breaking capacity Ics(kA)	AC400/415V	35	35	35
	AC690V	5	5	5
Rated shor-time withstand current Icw(kA),1s	AC400/415V	-	-	-
In conformity with standard		IEC 60947-2		
Utilization category		A	A	A
Isolation function		■	■	■
Ambient temperature		-25°C~ +70°C		
Arcing distance		≤50	≤50	≤50
Mechanical life (times)	Without maintenance	20000	20000	20000
	With maintenance	40000	40000	40000
Electrical life (times)	AC415V,In	10000	10000	10000
Electric release (times)	Distribution protection	■	■	■
	Motor protection	■	■	■
	Auxiliary contact	■	■	■
Accessories	Alarm contact	■	■	■
	Auxiliary contact, alarm contact	■	■	■
	Shunt release	■	■	■
	Under voltage release	■	■	■
	Communication module	■	■	■
	Maintenance tester	■	■	■
	Setting and monitoring software	■	■	■
	Remote indication contact	■	■	■
	Manual operational mechanism	■	■	■
	Motor-driven mechanism	■	■	■
	Rear connection	■	■	■
	Plug-in type	■	■	■
	Extending terminal bonding bar	■	■	■
	Temperature monitoring module	■	■	■
	Interphase barrier	■	■	■
	Dimension and size (mm) Width x height x depth	Width (3P/4P)	90/120	105/140
Height		155	165	165
Depth (S/H type)		90.5/90.5	102	102



# Functions and features

## Technical parameters

### NXMLE series residual current circuit breaker

Frame size Inm(A)	125		160		250		
Rated operational current In (A), 40°C	25,32,40,50,63,80,100,125		125,160		160,180,200,225,250		
Rated insulation voltage Ui(V)	800		800		800		
Rated impulse withstand voltage Uimp(kV)	8		8		8		
Rated operational voltage Ue(V), AC 50/60Hz	230/240,400/415		230/240,400/415		230/240,400/415		
Rated residual operating current IΔn(mA)	Fixed single grade, non-delay type	30/50/100/200/300/500		30/50/100/200/300/500		30/50/100/200/300/500	
	Fixed single grade, delay type	50/100/200/300/500		50/100/200/300/500		50/100/200/300/500	
	Adjustable three grades, non-delay type	A:	30/50/100	A: 30/50/100		A: 30/50/100	
		B:	50/100/200	B: 50/100/200		B: 50/100/200	
		C:	100/200/300	C: 100/200/300		C: 100/200/300	
		D:	200/300/500	D: 200/300/500		D: 200/300/500	
	Adjustable three grades, non-delay type	B:	50/100/200	B: 50/100/200		B: 50/100/200	
		C:	100/200/300	C: 100/200/300		C: 100/200/300	
D:		200/300/500	D: 200/300/500		D: 200/300/500		
-		-	-		-		
Rated residual non-operating current IΔno(A)	0.5IΔn		0.5IΔn		0.5IΔn		
Non-delay type 5IΔn, maximum breaking time(s)	≤0.04		≤0.04		≤0.04		
Delayed adjustable 2IΔn limit non-actuating time (s)non-adjustable	0.1/0.2/0.3, optional		0.1/0.2/0.3, optional		0.1/0.2/0.3, optional		
Delayed adjustable 2IΔn maximum breaking time	0.3/0.4/0.5, optional		0.3/0.4/0.5, optional		0.3/0.4/0.5, optional		
Breaking capacity code	S	H	S	H	S	H	
Number of poles	1PN	■	-	■	-	■	-
	2P	■	-	■	-	■	-
	3P	■	■	■	■	■	■
	3PN	■	■	■	■	■	■
	4P	■	■	■	■	■	■
Rated ultimate short circuit breaking capacity Icu(kA), AC400/415V	25	35	35	50	35	50	
Rated service short circuit breaking capacity Ics (kA)	13	18	18	25	18	25	
In conformity with standard	IEC 60947-2						
Utilization category	A		A		A		
Isolation function <sup>1)</sup>	■		■		■		
Ambient temperature	-35°C~+70°C						
Arcing distance	≤50		≤50		≤100		
Mechanical life (times)	Without maintenance	20000		20000		10000	
	With maintenance	40000		40000		20000	
Electrical life (times)	AC415VIn	10000		10000		8000	
Accessories	Auxiliary contact (1open and 1closed)	■	■	■	■	■	■
	Auxiliary contact (2open and 2closed)	-	-	■	■	■	■
	Alarm contact	■	■	■	■	■	■
	Auxiliary contact, alarm contact	■	■	■	■	■	■
	Shunt release	■	■	■	■	■	■
	Under voltage release	■	■	■	■	■	■
	Residual current alarm without tripping module	■	■	■	■	■	■
	Manual operational mechanism	■	■	■	■	■	■
	Motor-driven mechanism	■	■	■	■	■	■
	Rear connection	■	■	■	■	■ <sup>2)</sup>	■ <sup>2)</sup>
	Plug-in type	■	■	■	■	■	■
	Extending terminal bonding bar	■	■	■	■	■	■
Interphase barrier	■	■	■	■	■	■	
Dimension and sizes(mm) width(W) x height(H) x depth(D)	Width (1PN/2P/3P/3PN/4P)	56/56/76/103/103		63/63/90/120/120		78/78/105/140	
	Height	150		160		170	
	Depth (S type and H type)	71/80		75/90.5		77/80	

Note: <sup>1)</sup> 1PN/3PN has no isolation function.

# Functions and features

320		400		630		800	
200,225,250,280,320		315,320,350,400		400,500,630		630, 700, 800	
800		800		800		800	
8		8		8		8	
400/415		400/415		400/415		400/415	
30/50/100/200/300/500		50/100/200/300/500/1000		50/100/200/300/500/1000		50/100/200/300/500/1000	
50/100/200/300/500		50/100/200/300/500/1000		50/100/200/300/500/1000		50/100/200/300/500/1000	
A: 30/50/100		B: 50/100/200		B: 50/100/200		B: 50/100/200	
B: 50/100/200		C: 100/200/300		C: 100/200/300		C: 100/200/300	
C: 100/200/300		D: 200/300/500		D: 200/300/500		D: 200/300/500	
D: 200/300/500		E: 300/500/1000		E: 300/500/1000		E: 300/500/1000	
B: 50/100/200		B: 50/100/200		B: 50/100/200		B: 50/100/200	
C: 100/200/300		C: 100/200/300		C: 100/200/300		C: 100/200/300	
D: 200/300/500		D: 200/300/500		D: 200/300/500		D: 200/300/500	
-		E: 300/500/1000		E: 300/500/1000		E: 300/500/1000	
0.5IΔn		0.5IΔn		0.5IΔn		0.5IΔn	
≤0.04		≤0.04		≤0.04		≤0.04	
0.1/0.2/0.3, optional		0.1/0.2/0.3, optional		0.1/0.2/0.3, optional		0.1/0.2/0.3, optional	
0.3/0.4/0.5, optional		0.3/0.4/0.5, optional		0.3/0.4/0.5, optional		0.3/0.4/0.5, optional	
S	H	S	H	S	H	S	H
■	-	-	-	-	-	-	-
■	-	-	-	-	-	-	-
■	■	■	■	■	■	■	■
■	■	■	■	■	■	■	■
■	■	■	■	■	■	■	■
35	50	50	75	50	75	50	70
18	25	25	38	25	38	25	35
IEC 60947-2							
A		A		A		A	
■		■		■		■	
-35°C ~ +70°C							
≤100		≤100		≤100		≤100	
10000		10000		10000		8000	
20000		20000		20000		10000	
8000		8000		8000		5000	
■	■	■	■	■	■	■	■
■	■	■	■	■	■	■	■
■	■	■	■	■	■	■	■
■	■	■	■	■	■	■	■
■	■	■	■	■	■	■	■
■	■	■	■	■	■	■	■
■	■	■	■	■	■	■	■
■	■	■	■	■	■	■	■
■ <sub>2)</sub>	■ <sub>2)</sub>	■	■	■	■	■	■
■	■	■	■	■	■	■	■
■	■	■	■	■	■	■	■
■	■	■	■	■	■	■	■
78/78/105/140		140/185		140/185		210/280	
170		267		267		280	
77/80		107.5/107.5		107.5/107.5		117/117	

# Functions and features

## Technical parameters

### NXHM series disconnecter switch

Conventional thermal current Ith(A), 60°C		63	125	160
Rated current Ie (A)		63	125	160
Rated insulation voltage Ui (V)		800	800	800
Rated impulse withstand voltage Uimp (kV)		8	8	8
Rated operational voltage Ue (V), AC 50/60Hz		380/400/415/690	380/400/415/690	380/400/415/690
Number of poles		3P/4P	3P/4P	3P/4P
Rated short-time withstand current ICW (peak value A) AC 400/415V	1s	1600	1600	2000
In conformity with standards		IEC 60947-3		
Utilization category		AC-21A(B)/AC-22A(B)	AC-21A(B)/AC-22A(B)	AC-21A(B)/AC-22A(B)
Ambient temperature	-35°C~70°C			
Arcing distance	≤50	≤50	≤50	≤50
Mechanical life (times)	Without maintenance	20000	20000	20000
	With maintenance	40000	40000	40000
Electrical life (times)	AC415V, In	10000	10000	10000
Accessories	Auxiliary contact	■	■	■
	Alarm contact	■	■	■
	Auxiliary contact, alarm contact	■	■	■
	Shunt release	■	■	■
	Under voltage release	■	■	■
	Manual operational mechanism	■	■	■
	Motor-driven mechanism	■	■	■
	Rear connection	■	■	■
	Plug-in	■	■	—
	Extending terminal bonding bar	■	■	■
Dimension and sizes (mm Width(W) x height(H) x depth(D))	Width (3P//4P)	76/103	76/103	90/120
	Height	130	130	155
	Depth	70	70	75

# Functions and features

	250	320	400	630	800	1000
	250	320	400	630	800	1000
	800	800	1000	1000	1000	1000
	8	8	12	12	12	12
	380/400/415/690	380/400/415/690	380/400/415/690	380/400/415/690	380/400/415/690	380/400/415/690
	3P/4P	3P/4P	3P/4P	3P/4P	3P/4P	3P/4P
	4000	4000	5000	7800	10000	12000
	IEC 60947-3					
	AC-21A(B)/AC-22A(B)	AC-21A(B)/AC-22A(B)	AC-21A(B)/AC-22A(B)	AC-21A(B)/AC-22A(B)	AC-21A(B)/AC-22A(B)	AC-21A(B)/AC-22A(B)
	-35°C~70°C					
	≤50	≤50	≤100	≤100	≤100	≤100
	20000	20000	10000	10000	8000	5000
	40000	40000	20000	20000	10000	10000
	10000	10000	8000	8000	5000	2500
	■	■	■	■	■	■
	■	■	■	■	■	■
	■	■	■	■	■	■
	■	■	■	■	■	■
	■	■	■	■	■	■
	■	■	■	■	■	■
	■	■	■	■	■	■
	■	■	■	■	■	■
	■	■	■	■	■	■
	■	■	■	■	■	■
	■	■	■	■	■	■
	105/140	105/140	140/185	140/185	182/240	210/280
	165	165	257	257	270	280
	77	77	107.5	107.5	113	116

# Functions and features

## Protection feature

### Distribution protection –Only magnetic release

Only magnetic release	Frame size $I_m$ (A)	Rated current $I_n$ (A)	Setting of short circuit protection current	Setting value of short circuit protection current $I_n$ (A) and allowance	Release time
Short circuit protection	63	25~40	Fixed	500, $\pm 20\%$	Instantaneous action
		50,63	Fixed	$10I_n, \pm 20\%$	
	125	25~40	Fixed	500, $\pm 20\%$	
		50~125	Fixed	$10I_n, \pm 20\%$	
	160	125,160	Fixed	$10I_n, \pm 20\%$	
	250	160~250	Fixed	$10I_n, \pm 20\%$	
	320	200~320	Fixed	$10I_n, \pm 20\%$	
	400	315~400	Fixed	$10I_n, \pm 20\%$	
	630	400~630	Fixed	$10I_n, \pm 20\%$	
	800	630~800	Fixed	$10I_n, \pm 20\%$	
	1000	800~1000	Fixed	$10I_n, \pm 20\%$	
1600	1000~1600	Fixed	$10I_n, \pm 20\%$		

	Frame size $I_m$ (A)	Rated current $I_n$ (A)	Setting of neutral pole protection current	Setting value of neutral pole short circuit protection current (A) and allowance	Release time
Neutral pole protection (code of N poles C/D)	63	25~40	Fixed	500A $\pm 20\%$	Instantaneous action
		50,63	Fixed	$I_n, \pm 20\%$	
	125	25~40	Fixed	500A $\pm 20\%$	
		50~125	Fixed	$I_n, \pm 20\%$	
	160	125,160	Fixed	$I_n, \pm 20\%$	
	250	160~250	Fixed	$I_n, \pm 20\%$	
	320	200~320	Fixed	$I_n, \pm 20\%$	
	400	315~400	Fixed	$I_n, \pm 20\%$	
	630	400~630	Fixed	$I_n, \pm 20\%$	
	800	630~800	Fixed	$I_n, \pm 20\%$	
	1000	800~1000	Fixed	$I_n, \pm 20\%$	
1600	1000~1600	Fixed	$I_n, \pm 20\%$		

# Functions and features

## Distribution protection—Thermal magnetic release

Thermal magnetic release	Frame size $I_{\text{nm}}$ (A)	Rated current $I_n$ (A)	Setting of overcurrent protection	Release feature
Overload protection	All series	25A~1600A	Fixed	$I^2t$ =constant 1.05 $I_n$ (cold state), 2h non-trip( $I_n > 63A$ ), 1h non-trip( $I_n \leq 63A$ ) 1.30 $I_n$ (heat state), 2h trip( $I_n > 63A$ ), 1h trip( $I_n \leq 63A$ )
	160~1600	1000A~1600A	Adjustable	$I_k$ adjustable range: (0.7-0.8-0.9-1) $I_n$

Thermal magnetic release	Frame size $I_{\text{nm}}$ (A)	Rated current $I_n$ (A)	Setting of short circuit protection current	Setting value of short circuit protection current $I_c$ (A) and allowance	Release time
Short circuit protection	63	25~40	Fixed	500, $\pm 20\%$	Instantaneous action
		50,63	Fixed	10 $I_n$ , $\pm 20\%$	
	125	25~40	Fixed	500, $\pm 20\%$	
		50~125	Fixed	10 $I_n$ , $\pm 20\%$	
	160	125,160	Fixed	10 $I_n$ , $\pm 20\%$	
	250	160~250	Fixed	10 $I_n$ , $\pm 20\%$	
	320	200~320	Fixed	10 $I_n$ , $\pm 20\%$	
	400	315~400	Fixed	10 $I_n$ , $\pm 20\%$	
	630	400~630	Fixed	10 $I_n$ , $\pm 20\%$	
	800	630~800	Fixed	10 $I_n$ , $\pm 20\%$	
	1000	800~1000	Fixed	10 $I_n$ , $\pm 20\%$	
1600	1000~1600	Fixed	10 $I_n$ , $\pm 20\%$		

	Frame size $I_{\text{nm}}$ (A)	Rated current $I_n$ (A)	Setting of neutral pole protection current	Setting value of neutral pole overload protection current(A)/setting value neutral pole short circuit protection current(A)
Neutral pole protection (code of N pole C/D)	63	25~40	Fixed	500A $\pm 20\%$
		50,63	Fixed	$I_n$ , $I_n$ , $\pm 20\%$
	125	25~40	Fixed	500A $\pm 20\%$
		50~125	Fixed	$I_n$ , $I_n$ , $\pm 20\%$
	160	125,160	Fixed	$I_n$ , $I_n$ , $\pm 20\%$
	250	160~250	Fixed	$I_n$ , $I_n$ , $\pm 20\%$
	320	200~320	Fixed	$I_n$ , $I_n$ , $\pm 20\%$
	400	315~400	Fixed	$I_n$ , $I_n$ , $\pm 20\%$
	630	400~630	Fixed	$I_n$ , $I_n$ , $\pm 20\%$
	800	630~800	Fixed	$I_n$ , $I_n$ , $\pm 20\%$
	1000	800~1000	Fixed	$I_n$ , $I_n$ , $\pm 20\%$
1600	1000~1600	Fixed	$I_n$ , $I_n$ , $\pm 20\%$	

# Functions and features

## Protection Feature

### Distribution protection—Electronic release

Electronic release	Frame size $I_{min}$ (A)	Rated current $I_n$ (A)	Setting of overcurrent protection $I_s$ (A)	Release feature/time
Overload long-time-delay protection	160	32	16-18-20-22-25-28-30-32	$I^2t = \text{constant}$ $1.05I_n$ , no action within 2h $1.3I_n$ , action with 1h $2I_n$ , $t_{ci} = (12-60-80-100)s$ , $I_{lim} < 400A$ $2I_n$ , $t_{ci} = (12-60-100-150)s$ , $I_{lim} \geq 400A$
		63	32-36-40-45-50-56-60-63	
		125	63-70-75-80-90-100-110-125	
		160	80-90-100-110-125-140-150-160	
	250	250	125-140-150-160-180-200-225-250	
	320	320	160-180-200-225-250-280-300-320	
	400	400	200-225-250-280-300-315-350-400	
	630	630	400-450-480-500-530-560-600-630	
	1000	800	630-660-680-700-720-750-780-800	
		1000	630-680-720-780-820-900-950-1000	
1600	1600	800-900-1000-1100-1250-1400-1500-1600		
Action allowance				$\pm 10\%$
Short circuit short-time-delay protection	All series	32~1600	$I_{sd} = (1.5-2-3-4-5-6-8)I_n + \text{OFF}$	$t_{sd} = 0.3, \pm 0.06s$
	Action allowance		$\pm 15\%$	
Instantaneous protection	160~1600	32~1600	$I_i = (2-3-4-6-8-10-12)I_n + \text{OFF}$	Instantaneous action
	Action allowance		$\pm 15\%$	
Neutral pole protection (code of four pole C/D)	All series	32~1600	$I_{Rn} = (0.5, 1)I_n + \text{OFF}$ , Adjustable	
Indication of overload	All series	32~1600	$I_{R0} = 1.2I_n$	

## Distribution protection—Only magnetic release + residual current release

Only magnetic release	Frame size $I_{nm}$ (A)	Rated current $I_n$ (A)	Setting of short circuit protection current	Setting value of short circuit protection current $I_s$ (A) and allowance	Release time
Short circuit protection	125	25~40	Fixed	500, $\pm 20\%$	Instantaneous action
		50~125	Fixed	$10I_n$ , $\pm 20\%$	
	160	125,160	Fixed	$10I_n$ , $\pm 20\%$	
	250	160~250	Fixed	$10I_n$ , $\pm 20\%$	
	320	200~320	Fixed	$10I_n$ , $\pm 20\%$	
	400	315~400	Fixed	$10I_n$ , $\pm 20\%$	
	630	400~630	Fixed	$10I_n$ , $\pm 20\%$	
800	630~800	Fixed	$10I_n$ , $\pm 20\%$		

	Frame size $I_{nm}$ (A)	Residual current Release type	Residual current release type	Setting value of rated residual current $I_{\Delta n}$ (A)	Release time												
Residual action current protection	125/160/250/320	AC Type	Non delay: single grade and non-adjustable	30/50/100/200/300/500	<table border="1"> <tr> <td>Non-delay type <math>5I_{\Delta n}</math> maximum breaking time(s)</td> <td colspan="3"><math>\leq 0.4</math></td> </tr> <tr> <td>Delay type <math>2I_{\Delta n}</math> limit non-driving time (s) Adjustable</td> <td>0.1</td> <td>0.2</td> <td>0.3</td> </tr> <tr> <td>Delay type <math>2I_{\Delta n}</math> maximum breaking time(s) Adjustable</td> <td>0.3</td> <td>0.4</td> <td>0.5</td> </tr> </table>	Non-delay type $5I_{\Delta n}$ maximum breaking time(s)	$\leq 0.4$			Delay type $2I_{\Delta n}$ limit non-driving time (s) Adjustable	0.1	0.2	0.3	Delay type $2I_{\Delta n}$ maximum breaking time(s) Adjustable	0.3	0.4	0.5
			Non-delay type $5I_{\Delta n}$ maximum breaking time(s)	$\leq 0.4$													
			Delay type $2I_{\Delta n}$ limit non-driving time (s) Adjustable	0.1		0.2	0.3										
			Delay type $2I_{\Delta n}$ maximum breaking time(s) Adjustable	0.3		0.4	0.5										
	Three grades and adjustable	A/B/C/D															
	Delay type: single grade and non-adjustable	50/100/200/300/500															
	Three grades and adjustable	B/C/D															
	400/630/800	AC Type	Non delay: single grade and non-adjustable	50/100/200/300/500/1000													
Three grades and adjustable			B/C/D/E														
Delay type: single grade and non-adjustable			50/100/200/300/500/1000														
Three grades and adjustable			B/C/D/E														

# Functions and features

## Protection Feature

### Distribution protection—Thermal magnetic release+ residual current release

Thermal magnetic release	Frame size $I_{nm}$ (A)	Rated current $I_n$ (A)	Overload protection current Setting	Release feature
Overload protection	All series	25A~800A	Fixed	$I^2t$ =constant 1.05 $I_n$ (cold state), 2h non-release( $I_n > 63A$ ),1h non-release( $I_n \leq 63A$ ) 1.30 $I_n$ (heat state), 2h release( $I_n > 63A$ ),1h release( $I_n \leq 63A$ )

	Frame size $I_{nm}$ (A)	Rated current $I_n$ (A)	Setting of short circuit protection current	Setting value of short circuit protection current $I_{sc}$ (A) and allowance	Release time
Short circuit protection	125	25~40	Fixed	500, $\pm 20\%$	Instantaneous action
		50~125	Fixed	10 $I_{sc}$ , $\pm 20\%$	
	160	125,160	Fixed	10 $I_{sc}$ , $\pm 20\%$	
	250	160~250	Fixed	10 $I_{sc}$ , $\pm 20\%$	
	320	200~320	Fixed	10 $I_{sc}$ , $\pm 20\%$	
	400	315~400	Fixed	10 $I_{sc}$ , $\pm 20\%$	
	630	400~630	Fixed	10 $I_{sc}$ , $\pm 20\%$	
800	630~800	Fixed	10 $I_{sc}$ , $\pm 20\%$		

	Frame size $I_{nm}$ (A)	Residual current release type		Setting value of rated residual current $I_{\Delta n}$ (A)	Release time												
Residual current protection	125/160/250/320	AC type	Non delay: single grade and non-adjustable	30/50/100/200/300/500	<table border="1"> <tr> <td>Non-delay type 5I<math>\Delta n</math> maximum breaking time(s)</td> <td colspan="3"><math>\leq 0.4</math></td> </tr> <tr> <td>Delay type 2I<math>\Delta n</math> limit non-driving time (s) Adjustable</td> <td>0.1</td> <td>0.2</td> <td>0.3</td> </tr> <tr> <td>Delay type 2I<math>\Delta n</math> maximum breaking time(s) Adjustable</td> <td>0.3</td> <td>0.4</td> <td>0.5</td> </tr> </table>	Non-delay type 5I $\Delta n$ maximum breaking time(s)	$\leq 0.4$			Delay type 2I $\Delta n$ limit non-driving time (s) Adjustable	0.1	0.2	0.3	Delay type 2I $\Delta n$ maximum breaking time(s) Adjustable	0.3	0.4	0.5
			Non-delay type 5I $\Delta n$ maximum breaking time(s)	$\leq 0.4$													
			Delay type 2I $\Delta n$ limit non-driving time (s) Adjustable	0.1		0.2	0.3										
			Delay type 2I $\Delta n$ maximum breaking time(s) Adjustable	0.3		0.4	0.5										
	Three grades and adjustable	A/B/C/D															
	Delay type: single grade and non-adjustable	50/100/200/300/500															
	Three grades and adjustable	B/C/D															
	400/630/800	AC type	Non delay: single grade and non-adjustable	50/100/200/300/500/1000													
Three grades and adjustable			B/C/D/E														
Delay type: single grade and non-adjustable			50/100/200/300/500/1000														
Three grades and adjustable			B/C/D/E														

# Functions and features

## Motor protection—Only magnetic release

Only magnetic release	Frame size $I_{mn}$ (A)	Rated current $I_n$ (A)	Setting of short circuit protection current	Setting value of short circuit protection current $I_s$ (A) and allowance	Release time
Short circuit protection	63	25~40	Fixed	500, $\pm 20\%$	Instantaneous action
		50,63	Fixed	$12I_n$ , $\pm 20\%$	
	125	25~40	Fixed	500, $\pm 20\%$	
		50~125	Fixed	$12I_n$ , $\pm 20\%$	
	160	125,160	Fixed	$12I_n$ , $\pm 20\%$	
	250	160~250	Fixed	$12I_n$ , $\pm 20\%$	
	320	200~320	Fixed	$12I_n$ , $\pm 20\%$	
	400	315~400	Fixed	$12I_n$ , $\pm 20\%$	
	630	400~630	Fixed	$12I_n$ , $\pm 20\%$	
800	630~800	Fixed	$12I_n$ , $\pm 20\%$		

	Frame size $I_{mn}$ (A)	Rated current $I_n$ (A)	Setting of neutral pole protection current	Setting value of neutral pole overload protection current(A) Setting value neutral pole short circuit protection current(A)
Neutral pole protection (code of N pole C/D)	63	25~40	Fixed	500A $\pm 20\%$
		50,63	Fixed	$I_n$ , $I_n$ , $\pm 20\%$
	125	25~40	Fixed	500A $\pm 20\%$
		50~125	Fixed	$I_n$ , $I_n$ , $\pm 20\%$
	160	125,160	Fixed	$I_n$ , $I_n$ , $\pm 20\%$
		125,160	Fixed	$I_n$ , $I_n$ , $\pm 20\%$
	250	160~250	Fixed	$I_n$ , $I_n$ , $\pm 20\%$
	320	200~320	Fixed	$I_n$ , $I_n$ , $\pm 20\%$
	400	315~400	Fixed	$I_n$ , $I_n$ , $\pm 20\%$
	630	400~630	Fixed	$I_n$ , $I_n$ , $\pm 20\%$
800	630~800	Fixed	$I_n$ , $I_n$ , $\pm 20\%$	

# Functions and features

## Protection feature

### Motor protection—Thermal magnetic release

Thermal magnetic release	Frame size $I_{\text{min}}$ (A)	Rated current $I_r$ (A)	Setting of overcurrent protection	Release feature
Overload protection	125~800	25~630A	Fixed	$I^2t = \text{constant}$ 1.0 $I_n$ (cold state), >2h non release 1.2 $I_n$ (hot state), $\leq 2$ h release 1.5 $I_n$ (hot state), $\leq 4$ min, 10A $\leq I_n \leq 225$ A $\leq 8$ min, 225A $< I_n \leq 630$ A(including 800A frame 630A) 7.2 $I_n$ (hot state), 4s $\leq T \leq 10$ s, 10A $\leq I_n \leq 225$ A 6s $\leq T \leq 20$ s, 225A $< I_n \leq 630$ A(including 800A frame 630A) Trip class: 10( $\leq 160$ A), 20(160A $< I_n \leq 630$ A)

Thermal magnetic release	Frame size $I_{\text{min}}$ (A)	Rated current $I_r$ (A)	Setting of short circuit protection current	Setting value of short circuit protection current $I_s$ (A) and allowance	Release time
Short circuit protection	63	25~40	Fixed	500, $\pm 20\%$	Instantaneous action
		50,63	Fixed	12 $I_r$ , $\pm 20\%$	
	125	25~40	Fixed	500, $\pm 20\%$	
		50~125	Fixed	12 $I_r$ , $\pm 20\%$	
	160	125,160	Fixed	12 $I_r$ , $\pm 20\%$	
	250	160~250	Fixed	12 $I_r$ , $\pm 20\%$	
	320	200~320	Fixed	12 $I_r$ , $\pm 20\%$	
	400	315~400	Fixed	12 $I_r$ , $\pm 20\%$	
	630	400~630	Fixed	12 $I_r$ , $\pm 20\%$	
800	630~800	Fixed	12 $I_r$ , $\pm 20\%$		

	Frame size $I_{\text{min}}$ (A)	Rated current $I_r$ (A)	Setting of neutral pole protection current	Setting value of neutral pole overload protection current(A) Setting value neutral pole short circuit protection current(A)
Neutral pole protection (code of N pole C/D)	63	25~40	Fixed	$I_n$ 500A $\pm 20\%$
		50,63	Fixed	$I_n I_r \pm 20\%$
	125	25~40	Fixed	$I_n$ 500A $\pm 20\%$
		50~125	Fixed	$I_n I_r \pm 20\%$
	160	125,160	Fixed	$I_n I_r \pm 20\%$
		125,160	Fixed	$I_n I_r \pm 20\%$
	250	160~250	Fixed	$I_n I_r \pm 20\%$
	320	200~320	Fixed	$I_n I_r \pm 20\%$
	400	315~400	Fixed	$I_n I_r \pm 20\%$
	630	400~630	Fixed	$I_n I_r \pm 20\%$
800	630~800	Fixed	$I_n I_r \pm 20\%$	

## Motor protection—Electronic release

Electronic release	Frame size $I_{nm}$ (A)	Rated current $I_n$ (A)	Setting of overcurrent protection $I_s$ (A)	Release feature/time																																			
Overload long-time-delay protection	160	32	16-18-20-22-25-28-30-32	$I^2t = \text{constant}$ <table border="1"> <tr> <td><math>1.05I_n</math></td> <td colspan="4">No actuation within 2h</td> </tr> <tr> <td><math>1.2I_n</math></td> <td colspan="4">Actuation within 1h</td> </tr> <tr> <td>Release class</td> <td>10A</td> <td>10</td> <td>20</td> <td>30</td> </tr> <tr> <td><math>1.5I_n</math></td> <td>53</td> <td>107</td> <td>178</td> <td>267</td> </tr> <tr> <td><math>2I_n</math></td> <td>30</td> <td>60</td> <td>100</td> <td>150</td> </tr> <tr> <td><math>7.2I_n</math></td> <td>2.3</td> <td>4.6</td> <td>7.7</td> <td>11.6</td> </tr> <tr> <td colspan="5">Delay time accuracy: <math>\pm 20\%</math></td> </tr> </table>	$1.05I_n$	No actuation within 2h				$1.2I_n$	Actuation within 1h				Release class	10A	10	20	30	$1.5I_n$	53	107	178	267	$2I_n$	30	60	100	150	$7.2I_n$	2.3	4.6	7.7	11.6	Delay time accuracy: $\pm 20\%$				
		$1.05I_n$	No actuation within 2h																																				
		$1.2I_n$	Actuation within 1h																																				
		Release class	10A		10	20	30																																
	$1.5I_n$	53	107		178	267																																	
	$2I_n$	30	60		100	150																																	
	$7.2I_n$	2.3	4.6		7.7	11.6																																	
Delay time accuracy: $\pm 20\%$																																							
63	32-36-40-45-50-56-60-63																																						
125	63-70-75-80-90-100-110-125																																						
160	80-90-100-110-125-140-150-160																																						
250	250	125-140-150-160-180-200-225-250																																					
320	320	160-180-200-225-250-280-300-320																																					
400	400	200-225-250-280-300-315-350-400																																					
630	630	400-450-480-500-530-560-600-630																																					
Operation allowance				$\pm 20\%$																																			
Short circuit short-time-delay protection	All series	32~630	$I_{sc} = (1.5-2-3-4-5-6-8)I_n + \text{OFF}$	$t_{sd} = 0.3, \pm 0.06s$																																			
operation allowance			$\pm 15\%$																																				
Instantaneous protection	160~1600	32~630	$I_i = (2-4-6-8-10-12-14)I_n + \text{OFF}$	Instantaneous action																																			
Operation allowance			$\pm 15\%$																																				
Neutral pole protection (N pole code C/D)	All series	32~630	$I_{nN} = (0.5, 1)I_n + \text{OFF}$ , adjustable																																				
Overload indication	All series		$I_{io} = 1.2I_n$																																				

# Functions and features

## Protection feature

### Motor protection—Only magnetic release + residual current release

Only magnetic release	Frame size $I_{mn}$ (A)	Rated current $I_n$ (A)	Setting of short circuit protection current	Setting value of short circuit protection current $I_s$ (A) and allowance	Release time
Short circuit protection	125	25~40	Fixed	500, ±20%	Instantaneous action
		50~125	Fixed	12 $I_n$ , ±20%	
	160	125,160	Fixed	12 $I_n$ , ±20%	
	250	160~250	Fixed	12 $I_n$ , ±20%	
	320	200~320	Fixed	12 $I_n$ , ±20%	
	400	315~400	Fixed	12 $I_n$ , ±20%	
	630	400~630	Fixed	12 $I_n$ , ±20%	
800	630	Fixed	12 $I_n$ , ±20%		

	Frame size $I_{mn}$ (A)	Residual current Release type	Residual current release type	Setting value of rated residual current $I_{\Delta n}$ (A)	Release time												
Residual action current protection	125/160/250/320	AC type	Non delay: single grade and non-adjustable	30/50/100/200/300/500	<table border="1"> <tr> <td>Non-delay type 5<math>I_{\Delta n}</math> maximum breaking time(s)</td> <td colspan="3">≤0.4</td> </tr> <tr> <td>Delay type 2<math>I_{\Delta n}</math> limit non-driving time (s) Adjustable</td> <td>0.1</td> <td>0.2</td> <td>0.3</td> </tr> <tr> <td>Delay type 2<math>I_{\Delta n}</math> maximum breaking time(s) Adjustable</td> <td>0.3</td> <td>0.4</td> <td>0.5</td> </tr> </table>	Non-delay type 5 $I_{\Delta n}$ maximum breaking time(s)	≤0.4			Delay type 2 $I_{\Delta n}$ limit non-driving time (s) Adjustable	0.1	0.2	0.3	Delay type 2 $I_{\Delta n}$ maximum breaking time(s) Adjustable	0.3	0.4	0.5
			Non-delay type 5 $I_{\Delta n}$ maximum breaking time(s)	≤0.4													
			Delay type 2 $I_{\Delta n}$ limit non-driving time (s) Adjustable	0.1		0.2	0.3										
			Delay type 2 $I_{\Delta n}$ maximum breaking time(s) Adjustable	0.3		0.4	0.5										
	Three grades and adjustable	A/B/C/D															
	Delay type: single grade and non-adjustable	50/100/200/300/500															
	Three grades and adjustable	B/C/D															
	400/630/800	AC type	Non delay: single grade and non-adjustable	50/100/200/300/500/1000													
Three grades and adjustable			B/C/D/E														
Delay type: single grade and non-adjustable			50/100/200/300/500/1000														
Three grades and adjustable			B/C/D/E														

### Motor protection—Thermal magnetic release+ residual current release

Thermal magnetic release	Frame size $I_{mn}$ (A)	Rated current $I_n$ (A)	Overload protection current setting	Release feature
Overload protection	125~800	25A~630A	Stationary	$I^2t$ =constant 1.0 $I_n$ (cold state), >2h non release 1.2 $I_n$ (hot state), ≤2h release 1.5 $I_n$ (hot state), ≤4min, 10A ≤ $I_n$ ≤ 225A ≤8min, 225A < $I_n$ ≤ 630A (including 800A housing 630A) 7.2 $I_n$ (hot state), 4s ≤ T ≤ 10s, 10A ≤ $I_n$ ≤ 225A 6s ≤ T ≤ 20s, 225A < $I_n$ ≤ 630A (including 800A housing 630A) release class: 10 (≤160A), 20 (160A < $I_n$ ≤ 630A)

## Motor protection—Thermal magnetic release+ residual current release

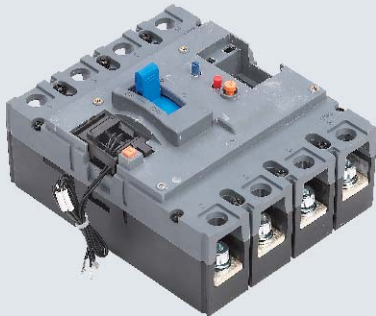
Thermal magnetic release	Frame size $I_{mn}$ (A)	Rated current $I_n$ (A)	Setting of short circuit protection current	Setting value of short circuit protection current $I_i$ (A) and allowance	Release time
Short circuit protection	63	25~40	Stationary	500, $\pm 20\%$	Instantaneous action
		50,63	Stationary	$12I_n, \pm 20\%$	
	125	25~40	Stationary	500, $\pm 20\%$	
		50~125	Stationary	$12I_n, \pm 20\%$	
	160	125,160	Stationary		
		125,160	Stationary	$12I_n, \pm 20\%$	
	250	160~250	Stationary	$12I_n, \pm 20\%$	
	320	200~320	Stationary	$12I_n, \pm 20\%$	
	400	315~400	Stationary	$12I_n, \pm 20\%$	
	630	400~630	Stationary	$12I_n, \pm 20\%$	
800	630~800	Stationary	$12I_n, \pm 20\%$		

	Frame size $I_{mn}$ (A)	Residual current release type	Residual current release type	Setting value of rated residual current $I_{\Delta n}$ (A)	Trip time															
Residual current protection	125/160/250/320	AC type	Non delay: single grade and non-adjustable	30/50/100/200/300/500	<table border="1"> <tr> <td>Non-delay type <math>5I_{\Delta n}</math> maximum breaking time(s)</td> <td colspan="3"><math>\leq 0.4</math></td> </tr> <tr> <td>Delay type <math>2I_{\Delta n}</math> limit non-driving time (s) Adjustable</td> <td>0.1</td> <td>0.2</td> <td>0.3</td> </tr> <tr> <td>Delay type <math>2I_{\Delta n}</math> maximum breaking time(s) Adjustable</td> <td>0.3</td> <td>0.4</td> <td>0.5</td> </tr> </table>				Non-delay type $5I_{\Delta n}$ maximum breaking time(s)	$\leq 0.4$			Delay type $2I_{\Delta n}$ limit non-driving time (s) Adjustable	0.1	0.2	0.3	Delay type $2I_{\Delta n}$ maximum breaking time(s) Adjustable	0.3	0.4	0.5
			Non-delay type $5I_{\Delta n}$ maximum breaking time(s)	$\leq 0.4$																
			Delay type $2I_{\Delta n}$ limit non-driving time (s) Adjustable	0.1	0.2	0.3														
			Delay type $2I_{\Delta n}$ maximum breaking time(s) Adjustable	0.3	0.4	0.5														
	Three grades and adjustable	A/B/C/D																		
	Delay type: single grade and non-adjustable	50/100/200/300/500																		
	Three grades and adjustable	B/C/D																		
	400/630/800	AC type	Non delay: single grade and non-adjustable	50/100/200/300/500/1000																
Three grades and adjustable			B/C/D/E																	
Delay type: single grade and non-adjustable			50/100/200/300/500/1000																	
Three grades and adjustable			B/C/D/E																	

# Functions and features



AX-M3 auxiliary contact



Schematic diagram of assembly of auxiliary contact with the body

## Inner accessories

### AX auxiliary contact

Function: Remote indication of "ON", "OFF" position of the breaker, connect to the control circuit of breaker.

Model description

AX-□□□□

- applicable product: general(omit) , residual current type(LE)
- applicable product poles: 2P(2),general (omit)
- Installation site code : left side installation (code L) and right side installation (code R)
- Frame size code (see table1)
- Name code of auxiliary contact

Table1 Frame size code

Frame size	63/125	160	250/320	400/630	800	1000	1600
Code	M1	M2	M3	M4	M5	M6	M7

For example: 63/125 frame right auxiliary contact code: AX-M1R

To indicate the "ON" or "OFF" state of circuit breaker

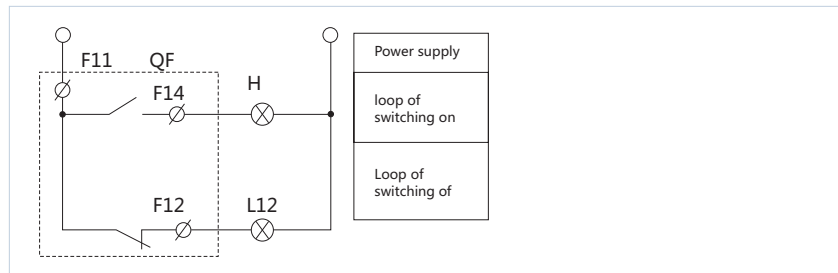
AX	Opening or free trip OFF & TRIP	FX12 FX14		FX11
	Closing ON	FX12 FX14		FX11

### Electrical characteristics

Operational voltage (V)		AC-15		DC-13	
		AC380/400/415		DC110	Dc220
Operational current (A)	63~320	0.26	0.14	0.14	
	400~1000	0.4	0.2	0.2	
	1600	0.26	0.14	0.14	

### Wiring diagram

Auxiliary contact can be wired with indicator light.  
The operator can know the location of switch " ON " or " OFF " without open the power distribution cabinet via indicator light.





AL-M6 alarm contact



Schematic diagram of assembly of alarm contact with the body

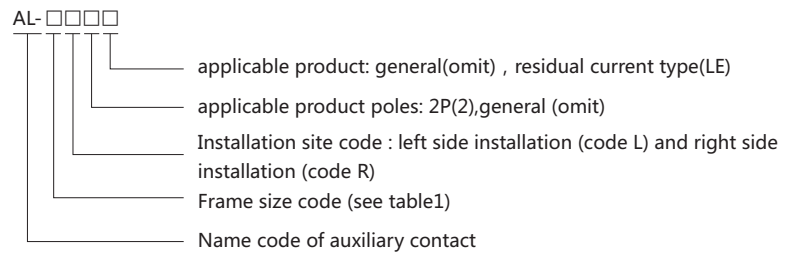
## Inner accessories

### AL alarm contact

Function: It is mainly used to provide signal in case of failure of circuit breaker or free trip.  
Reasons for alarm contact to send failure indication signal:

- Overload or short circuit trip
- Under voltage trip
- Residual current operated trip
- Manual free trip

### Model description



For instance: the left alarm contact code of 63/125 frame is: AL-M1L

To indicate the "ON" or "OFF " state of circuit breaker

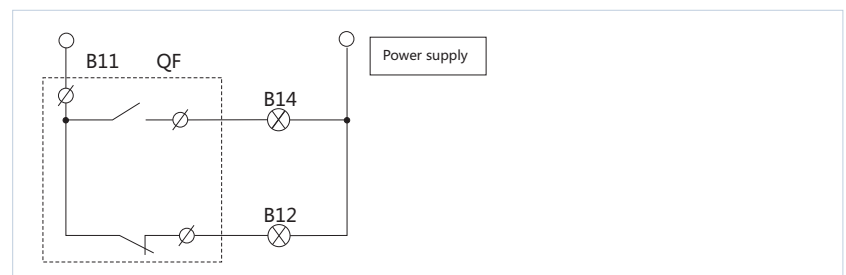
AL	Open or close OFF & ON	B12 B14		B11
	TRIP	B12 B14		B11

### Electrical characteristics

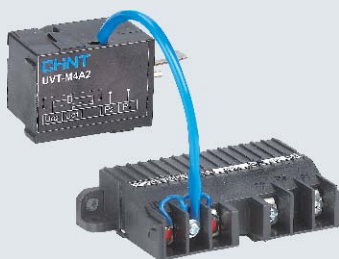
Operational voltage (V)		AC-15		DC-13	
		AC380/400/415		DC110	Dc220
Operational current (A)	63~320	0.26	0.14	0.14	
	400~1000	0.4	0.2	0.2	
	1600	0.26	0.14	0.14	

### Wiring diagram

Alarm contact can be connected with indicator light, buzzer and the like, and thus the operator can be timely informed in case of release of circuit breaker.



# Functions and features



UV T-M4 under voltage release

## Inner accessories

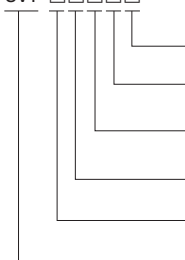
### UVT under voltage release

Function: To switch off the circuit breaker in case of under voltage of power supply so as to protect the electric equipment.

- The under voltage release shall switch off the circuit breaker reliably when the power supply voltage decreases (or even decrease slowly) to 70%-35% of rated control power supply voltage.
- It shall ensure the closing of breaker when the power supply voltage equals to or is more than 85% of rated control power supply voltage of under voltage release.
- The under voltage release shall be able to prevent closing of circuit breaker when the supply voltage is less than 35% of rated control supply voltage of under voltage release.

### Model description

UVT-□□□□



applicable product: Thermal-magnetic(omit) , residual current type(LE):Electronic(E)  
 applicable product poles: 2P(2),general (omit)  
 Installation site code : left side installation (code L) and right side installation (code R)  
 Applicable voltage code (see table2, only A1, A2 are applicable)  
 Frame size code (see table1)  
 Name code of auxiliary contact

Table2 Applicable voltage code

Voltage	AC230V	AC400V	DC24V	DC110V	DC220V
Code	A1	A2	D1	D2	D3

For example: right under voltage release code of 63/125 frame 400V: UV T-M1A2

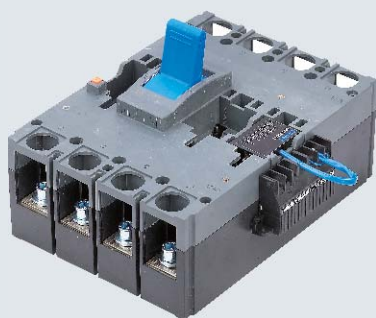
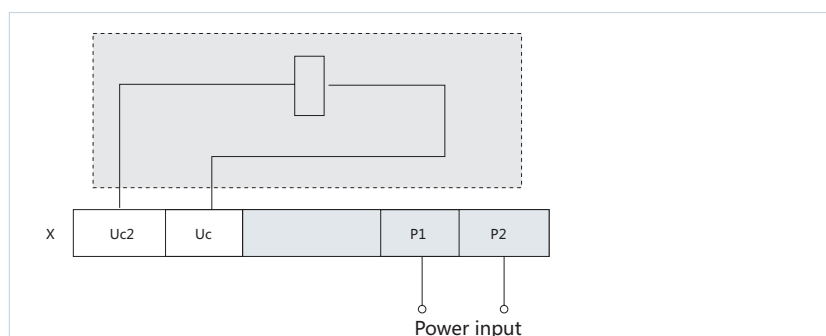
### Electrical characteristics

Frame size (A)	Under voltage release code (VA or W)	
	AC230V	AC400V
63/125	3.1	4
160	3.2	3.9
250/320	3.3	4.3
400/630	2.5	3.6
800	1.6	2
1000	1.6	2
1600	1.6	2

### Operating characteristics

Operating conditions (XU <sub>2</sub> )	Switching off reliably	35%~70%
	Preventing closing	≤35%
	Closing reliably	≥85%
Response time		1s
Operation times		1000

### Wiring diagram



Schematic diagram of assembly of under voltage release and non-release module with the body



SHT-M2 shunt release



Schematic diagram of assembly of shunt release with the body

## Inner accessories

### SHT shunt release

Function: Shunt release is an accessory for remote control. The shunt release shall be able to make circuit breaker operating reliably when the power voltage equals to any voltage within the range of 70%~110% of rated control power voltage.

#### Model description

SHT-□□□□

- applicable product: general(omit) , residual current type(LE)
- applicable product poles: 2P(2),general (omit)
- Installation site code : left side installation (code L) and right side installation (code R)
- Applicable voltage code (see table2, only A1, A2 are applicable)
- Frame size code (see table1)
- Name code of auxiliary contact

For example: left shunt release code of 63/125 housing 400V: SHT-M1A2L

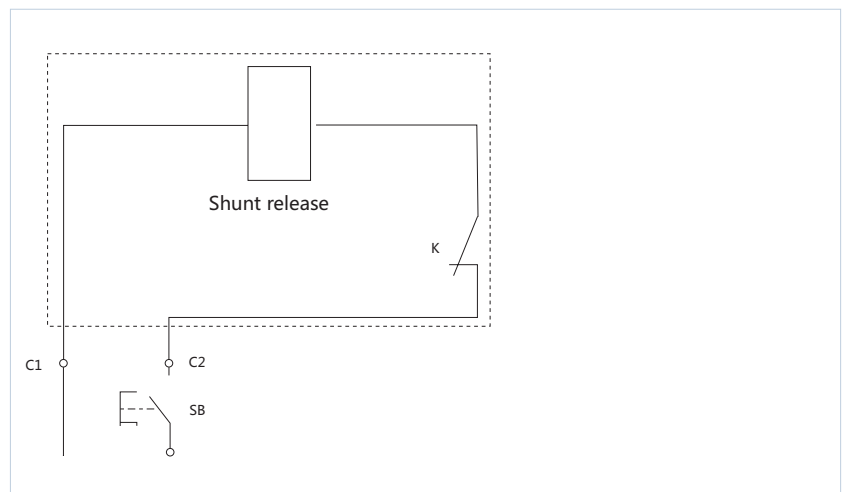
#### Electrical characteristics

Frame size(A)	Code of under voltage release (VA or W)				
	AC230V	AC400V	DC24V	DC110V	DC110V
63/125	76	91.5	91	80	136
160	73	96.5	91	52.8	71
250/320	68.5	112	85.3	58	66
400/630	62.5	68	100	105	56
800	153	168	120	105	56
1000	153	163	120	105	56
1600	175	183	140	143	286

#### Operating characteristics

Reliable operating voltage		70%~110% $XU_n$
Conduction time (pulse mode)	minimum	10ms
	maximum	1s
Response time		30ms
Number of operations		1000

#### Wiring diagram



# Functions and features



MD-M2 electric operational mechanism

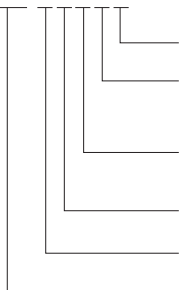
## External accessories

### MD motor-driven mechanism

Function: it is applicable for switching circuit breaker on and off and retrip remotely, as well as automation application.

Model description

MD - □□□□



Applicable product: Thermal-magnetic (omit), Electronic type (E), residual current type (LE).

Product breaking capacity: General (omit), S,H.

Installation site code : left side installation (code L) and right side installation (code R)

Applicable voltage code (see table2, only A1, A2 are applicable)

Frame size code (see table1)

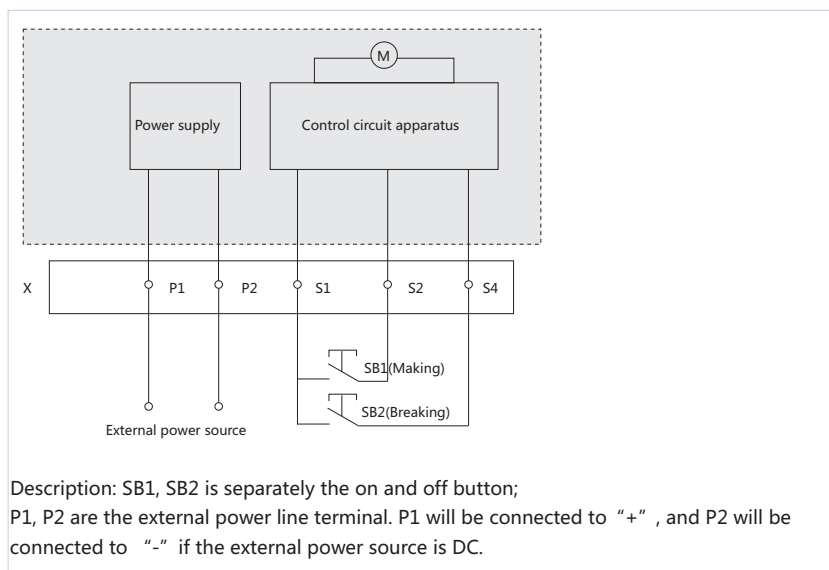
Name code of auxiliary contact

For example: motor driven code of 63/125 frame moulded case circuit breaker 400V: MD-M1A2

Electrical characteristics

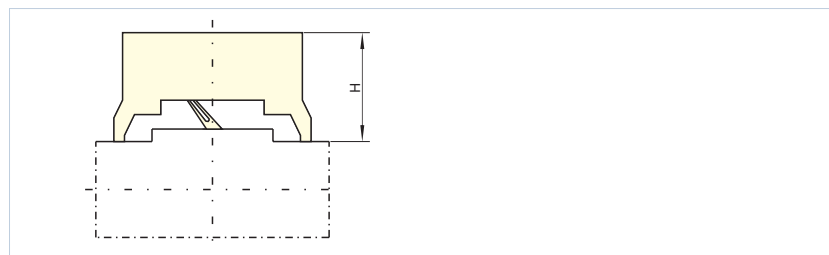
Category	Model	63/125/250/320 frame	All series
Structural style		Electromagnet	DC-AC
Voltage specification		AC230V, 400V	AC110V, 230V, 400V, DC24V, 110V, 220V
Rated frequency		50Hz	50Hz

Wiring diagram



### Motor-driven mechanism

Installation sketch of electric operational mechanism



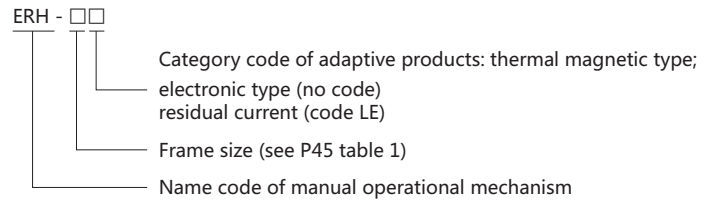
Frame size	63A	160A	250A	400A	800A	1000A	1600A
	125A		320A	630A			
Installation size H(mm)	93	97	97.5	154	154	154.5	156.5

## External accessories

### ERH manual operational mechanism

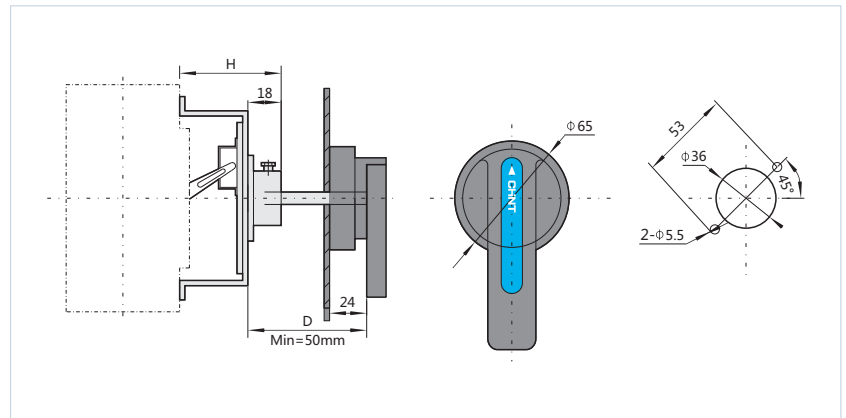
Function: It realizes switching on, off and restriping via rotary handle according to human body mechanics with unique design and transmission device.

Model description



For example: manual operational mechanism code of 63/125 frame residual current operating: ERH-M1LE

Installation diagram of manual operational mechanism



ERH-M6



Scheme diagram of assembly of manual operational mechanism with the body

Frame size	63A	160A	250A	400A	800A	1000A	1600A
	125A		320A	630A			
Installation sizes (mm)	53.5	61.5	63.5	98	97	97	68.5

Note: Installation dimension of thermal magnetic type moulded circuit breaker is 98mm, and for residual current circuit breaker is 96mm.

# Functions and features



FCP-M4



Assembly scheme diagram of front connection plate and the body



RCP-M3



Assembly scheme diagram of rear connection plate and the body

## External accessories

### FCP front connection plate

Function: It grants the breaker a flexible line connecting way. The phase spacing can increase via accessories so as to increase the electrical space between the adjacent phases of line terminal of input and output of breaker, and thus increase the safety among the lines.

Model description:

FCP - □□

- Pole number code of adaptive product: two poles (code 2), three poles (code 3), four poles (code 4)
- Frame size code (see P45 table 1)
- Name code of front connection plate

### RCP rear connection plate

Function: It grants the breaker with flexible line connecting way, which is used to match the switch board or other requirements so as to realize the line connecting on the back of the installation plate.

Model description

RCP - □□

- Pole number code of adaptive product: two poles (code 2), three poles (code 3), four poles (code 4)
- Frame size code (see P45 table 1)
- Name code of rear connection plate

For example: 63/125 frame three-pole circuit breaker with rear connection plate code: RCP-M 13



PTU-1



Data interface



Charging interface



Navigation key interface

## External accessories

### Handheld test module (PTU-1)

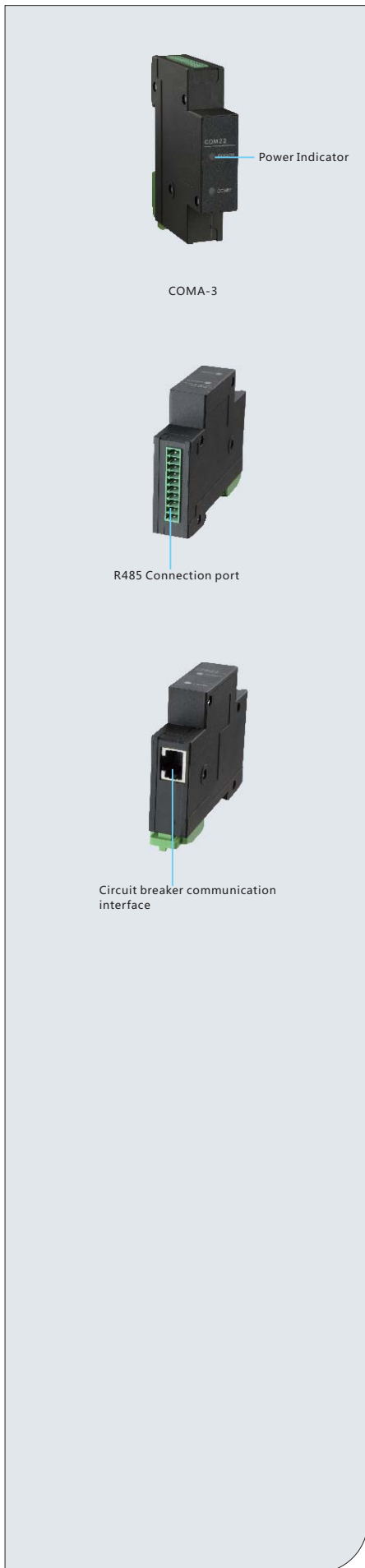
Handheld test module is the extension of the circuit breaker function, it can connection circuit breaker through USB interface, also the information of circuit breaker can be displayed in the handheld test module. User can query and set the parameters of the circuit breaker as needed. Users can easily monitor and repair the circuit breaker.

- Features:
- Query the factory parameters, shell current, rated current, communication address and other informations of the circuit breaker;
- Query overload long delay, short delay, short circuit instantaneous, N phase protection, ground fault current value, operating time and other settings parameters;
- Query real-time phase current value of the circuit breaker ABCN phase, the last fault alarm current parameter value;
- Set the protection characteristic parameter of circuit breaker.(Not available for Dial-type electronic circuit breakers);
- Can set the display brightness, screensaver power, serial communication parameters and circuit breaker communication address;
- Circuit breaker analog signal trip test.

Power supply	Single 14500 lithium-ion battery
Battery capacity	≥800mAh
Operational Voltage	3.7 ~ 4.2V
Charging method	USB +5V
Control mode	Pushbutton
LCD screen	3.2 inch TFT color, vertical screen display
Backlight brightness	1~100 level adjustment
Screensaver saving	30 to 120 seconds can be set, can be closed
Battery power monitoring	Yes
Continuous working hours	2h
Operating temperature	-20°C ~ 70°C
Wired communication	Protocol : Modbus-RTU Serial communication rate : 1200/2400/4800/9600/19200bps

- Operating:
- Use five navigation keys with three shortcuts and one power key, it can provide users with simple and quick operation experience;
- The five navigation keys default to up, down, left, right, and confirmation;
- The three shortcut keys are R, W, T, respectively, for the read parameters, set the parameters of the test test trip;
- Power key press two seconds to switch operation, and operating tips are on the bottom of each pages.

# Functions and features



## External accessories

### Modbus Communication module(COMA-3)

COMA-3 external Modbus communication module (Electronic type) is the extension of the circuit breaker function. Through the connection with the circuit breaker communication interface to achieve the physical layer of signal conversion. The interface of the RS485 communication module can be connected to the host computer and realize the remote function of the circuit breaker.

- Features:
- Built-in power supply module, can connect with an external power of 220V AC or 24V DC;
- Features:The communication module will supplies power to the circuit breaker electronic release;
- Features:Can convert the communication single between the circuit breaker and host computer;
- Features:Remote control of two relay output by receiving the instructions of the host computer;
- Features:Meet the users` need of the circuit breaker network construction.

- Characteristic:

Voltage	DC24V
Power consumption	≤2.8W
Communication rate	RS485 Communication baud rate : 1200/2400/4800/9600/19200 bps
Relay output capacity	5A , DC 30V
Operating temperature	-20°C ~ 70°C

- Installation
- Installation via DIN35-7.5 standard rail.

## Complementary data

### Compensation coefficient table of environmental temperature change

The thermal overload feature of breaker will be influenced by the environmental temperature. Therefore, it shall be used with the calculation of compensation coefficient according to the following table under the conditions of low and high temperature.

Product model	-35°C	-30°C	-25°C	-20°C	-15°C	-10°C	-5°C	0°C	40°C	45°C	50°C	55°C	60°C	65°C	70°C
NXM-63	1.35In	1.33In	1.31In	1.3In	1.28In	1.25In	1.2In	1.15In	1.10In	0.97In	0.95In	0.91In	0.9In	0.89In	0.85In
NXM/NXMLE-125	1.35In	1.33In	1.31In	1.3In	1.2In	1.18In	1.15In	1.15In	1.10In	0.95In	0.94In	0.93In	0.92In	0.91In	0.89In
NXM/NXMLE-160	1.35In	1.34In	1.32In	1.3In	1.25In	1.22In	1.2In	1.15In	1.10In	0.95In	0.94In	0.93In	0.92In	0.91In	0.85In
NXM/NXMLE-250	1.45In	1.4In	1.35In	1.3In	1.25In	1.2In	1.18In	1.15In	1.10In	0.95In	0.9In	0.89In	0.85In	0.81In	0.78In
NXM/NXMLE-320	1.45In	1.4In	1.35In	1.3In	1.25In	1.2In	1.18In	1.15In	1.10In	0.95In	0.9In	0.89In	0.85In	0.81In	0.78In
NXM/NXMLE-400	1.65In	1.6In	1.55In	1.44In	1.42In	1.4In	1.35In	1.3In	1.10In	0.95In	0.9In	0.89In	0.85In	0.81In	0.80In
NXM/NXMLE-630	1.4In	1.35In	1.31In	1.3In	1.25In	1.2In	1.18In	1.13In	1.10In	0.95In	0.94In	0.92In	0.9In	0.87In	0.86In
NXM/NXMLE-800	1.35In	1.34In	1.32In	1.31In	1.3In	1.25In	1.23In	1.18In	1.10In	0.95In	0.93In	0.85In	0.82In	0.8In	0.78In
NXM-1000	1.36In	1.35In	1.34In	1.3In	1.28In	1.25In	1.21In	1.2In	1.10In	0.92In	0.9In	0.88In	0.87In	0.86In	0.85In
NXM-1600	1.35In	1.3In	1.25In	1.2In	1.19In	1.18In	1.15In	1.12In	1.10In	0.92In	0.9In	0.88In	0.87In	0.86In	0.85In

### Altitude reducing capacity and correction coefficient table

It has no impact on the breaker feature where the altitude equals to 2000 m or below. The breaker electrical feature shall be corrected according to the following table.

Altitude (m)	2000	3000	4000	5000
Correction coefficient of operating current	1In	0.94In	0.88In	0.85In
Maximum operational voltage (V)	690	600	500	440
Insulation voltage (V)	1000	800	700	600
Power frequency withstand voltage (V)	3000	2500	2000	1800

### Plug-in and rear connection current derating table

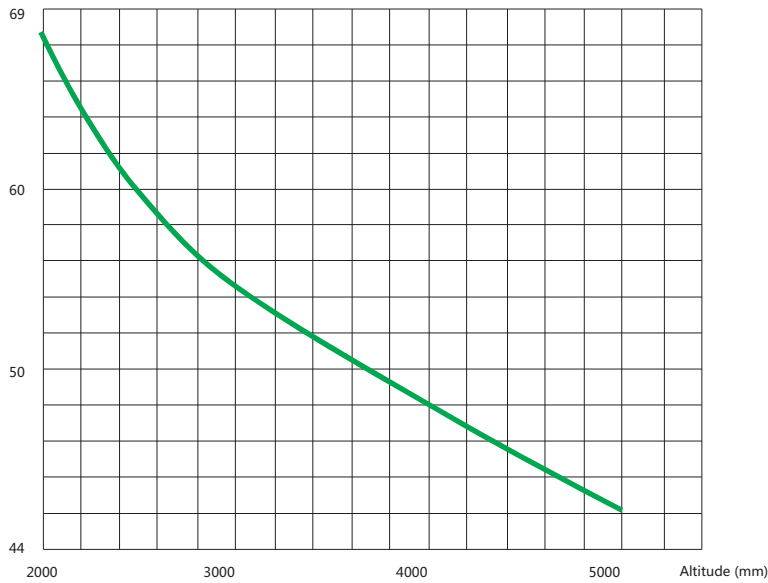
Frame size	Rated current(A)	Plug-in derating current(A)	Note
125	125	110	
160	160	160	
320	300, 315, 320	280	
630	400	400	
	500	450	
	630	520	
800	700	650	
	800	720	
1000	900	850	
	1000	920	

Note: There is no need of current derating as no specification in the table

# Functions and features

## Altitude derating curve

Maximum operation



## Electronic type derating coefficient table

Frame size	Rated current	Long-time delay current setting	Temperature							Rated current	Temperature						
			-25°C	-20°C	-15°C	-10°C	-5°C	-0°C	40°C		45°C	50°C	55°C	60°C	65°C	70°C	
NXMS-160	32A, 63A, 125A, 160A	$I_r < 0.65I_n$	1.2I <sub>n</sub>	1.2I <sub>n</sub>	1.1I <sub>n</sub>	1.1I <sub>n</sub>	1.05I <sub>n</sub>	1.05I <sub>n</sub>	32A, 63A, 125A	1.0I <sub>n</sub>			0.9I <sub>n</sub>	0.85I <sub>n</sub>	0.8I <sub>n</sub>	0.8I <sub>n</sub>	
		$I_r > 0.65I_n$	1.0I <sub>n</sub>						160A	1.0I <sub>n</sub>	0.9I <sub>n</sub>	0.85I <sub>n</sub>	0.8I <sub>n</sub>	0.7I <sub>n</sub>	0.7I <sub>n</sub>		
NXMS-320	250A, 320A	$I_r < 0.58I_n$	1.15I <sub>n</sub>	1.15I <sub>n</sub>	1.15I <sub>n</sub>	1.05I <sub>n</sub>	1.05I <sub>n</sub>	1.05I <sub>n</sub>	250A	1.0I <sub>n</sub>			0.9I <sub>n</sub>	0.85I <sub>n</sub>	0.8I <sub>n</sub>	0.8I <sub>n</sub>	
		$I_r > 0.58I_n$	1.0I <sub>n</sub>						320A	1.0I <sub>n</sub>	0.9I <sub>n</sub>	0.85I <sub>n</sub>	0.8I <sub>n</sub>	0.7I <sub>n</sub>	0.7I <sub>n</sub>		
NXMS-630	400A, 630A	ALL	1.0I <sub>n</sub>						400A	1.0I <sub>n</sub>			0.9I <sub>n</sub>	0.85I <sub>n</sub>	0.8I <sub>n</sub>	0.8I <sub>n</sub>	
									630A	1.0I <sub>n</sub>	0.9I <sub>n</sub>	0.85I <sub>n</sub>	0.8I <sub>n</sub>	0.7I <sub>n</sub>	0.7I <sub>n</sub>		
NXMS-1000	800A, 1000A	ALL	1.0I <sub>n</sub>						800A	1.0I <sub>n</sub>			0.9I <sub>n</sub>	0.85I <sub>n</sub>	0.8I <sub>n</sub>	0.8I <sub>n</sub>	

## Power loss table

Product model	Making current(A)	Single pole resistance (mΩ)	3/4pole total power loss		
			Front connection	Rear connection	Plug-in rear connection
NXM-63	63	0.75	24	27	28
NXM-125	125	0.72	28	31	32
NXM-160	160	0.4	60	87	89
NXM-250	250	0.2	63	90	90
NXM-320	320	0.19	65	95	98
NXM-400	400	0.15	68	72	100
NXM-630	630	0.14	180	190	200
NXM-800	800	0.08	200	230	290
NXM-1000	1000	0.06	250	280	300
NXM-1600	1600	0.027	280	-	-
NXMS-160	160	0.2	40	50	62
NXMS-250	250	0.18	50	75	86
NXMS-320	320	0.19	55	80	89
NXMS-400	400	0.1	58	87	90
NXMS-630	630	0.08	110	120	130
NXMS-1000	1000	0.05	140	155	167
NXMS-1600	1600	0.02	250	-	-
NXMLE-125	125	0.79	28	31	35
NXMLE-160	160	0.73	60	87	89
NXMLE-250	250	0.27	63	90	90
NXMLE-320	320	0.25	65	95	98
NXMLE-400	400	0.11	68	72	100
NXMLE-630	630	0.09	180	190	200
NXMLE-800	800	0.08	200	230	290
NXHM-63	63	0.4	28	31	35
NXHM-125	125	0.6	60	87	87
NXHM-160	160	0.2	40	50	62
NXHM-250	250	0.18	50	75	86
NXHM-320	320	0.19	55	80	89
NXHM-400	400	0.1	58	87	90
NXHM-630	630	0.08	110	120	130
NXHM-800	800	0.05	200	230	290
NXHM-1000	1000	0.02	140	155	167

## Parameter table of connecting cable/copper bar

The reference section of connecting cable/copper bar with different rated current is as follows.

Rated current (A)	Section of wire (mm <sup>2</sup> )
10	1.5
16, 20	2.5
25	4.0
32	6.0
40, 50	10
63	16
70, 75, 80	25
100	35
125, 140, 150	50
160	70
180, 200, 225	95
250	120
315, 320, 350	185
400	240

# Functions and features

Rated current (A)	Copper bar			
	Section (mm <sup>2</sup> )	Quantity	Width x thickness (mm)	Quantity
500	150	2	30×5	2
630	185	2	40×5	2
700, 800	240	2	50×5	2
			50×10	1
1000	-	-	50×5	3
			63×10	1
1250	-	-	50×5	3
			40×10	2
1600	-	-	60×5	4
			60×10	2

The above reference section is the reference value under 40 degrees operating environmental temperature.

The recommended value of tightening torque of different housing current connecting cable/copper bar is as follows:

Rated current (A)	63A/125A	160A	250A/320A	400A/630A	800A	1000A/1250A/1600A
Torque (N m) <sup>1)</sup>	6	10	12	30	30	30
Torque (N m) <sup>2)</sup>	6	10	12	30	30	30
Torque (N m) <sup>3)</sup>	6	10	12	30	30	30

<sup>1)</sup> Tighten the torque of busbar (or extension busbar/connection lug) in case of connecting with the body directly.

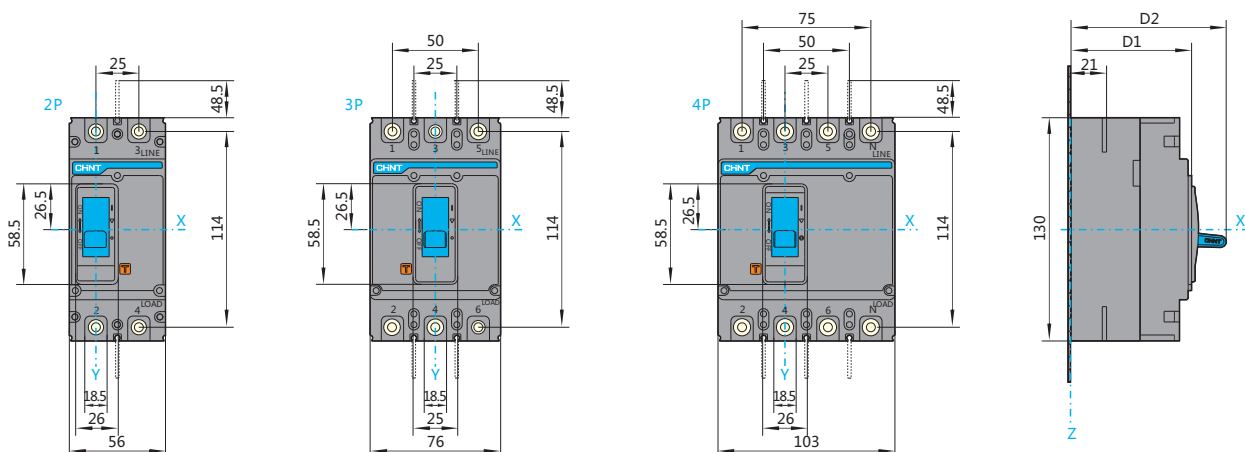
<sup>2)</sup> Tighten the torque of connecting terminal behind the stationary breaker/tighten the torque of connecting terminal of plug in breaker.

<sup>3)</sup> Tighten the torque of extension busbar of terminal on the plug-in pedestal.

# Dimensions and installation

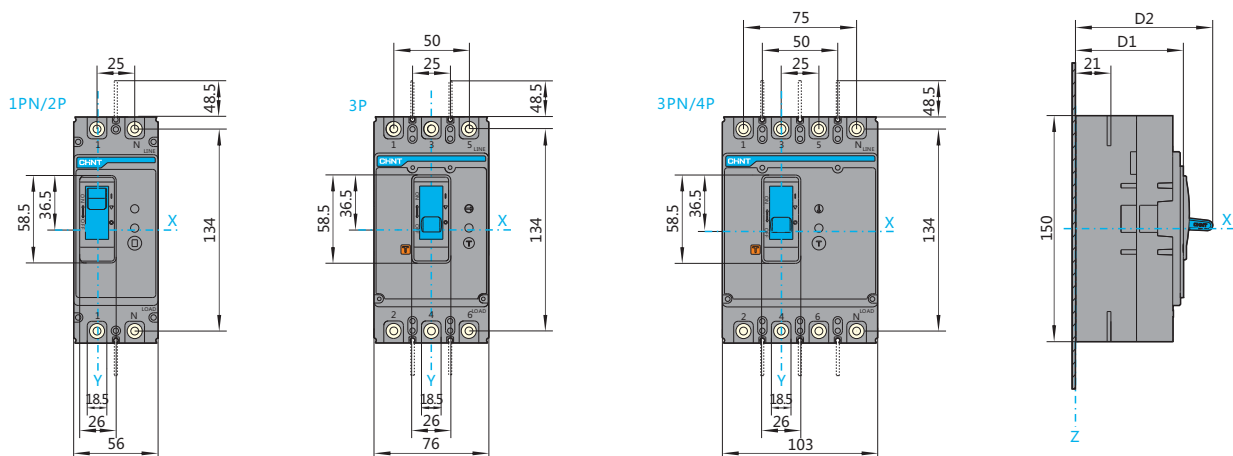
NXM- 63S/F/H, 125S/F/H, NXHM- 63, 125

Front connection, dimension (mm)



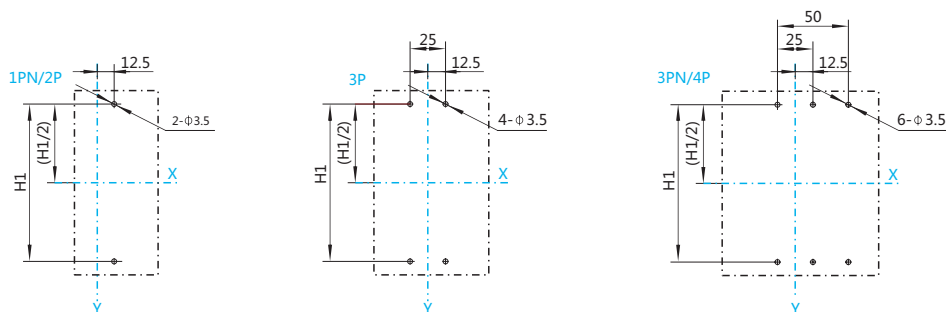
NXMLE-125S/H

Front connection, dimension (mm)



NXM-63S/H, 125S/H, NXHM-63,125, NXMLE-125S/H

Installation size of baseplate

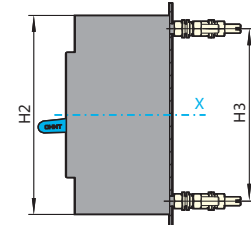
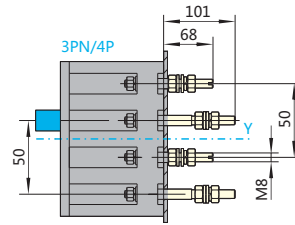
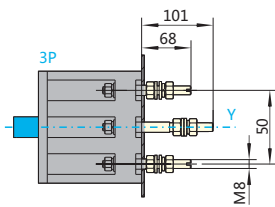


Specification and model	D1	D2	H1			Remark
			1PN/2P	3P	3PN/4P	
NXM-63S, 125S	70	90	111	111	111	2P/3P/4P
NXM-63F/H, 125F/H	80	100	-	111	111	3P/4P
NXMLE-125S	71	90	133.6	133.6	133.6	1PN/2P/3P/3PN/4P
NXMLE-125H	81	100	-	133.6	133.6	3P/3PN/4P
NXHM-63, 125	70	90	-	111	111	3P/4P

# Dimensions and installation

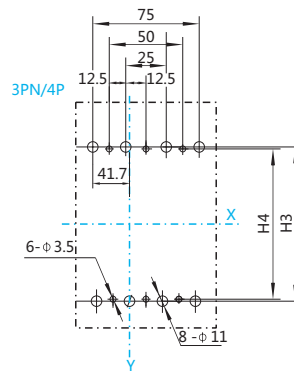
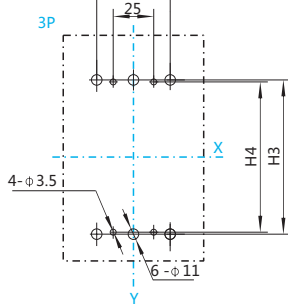
NXM-63S/F/H, 125S/F/H, NXMLE-125S/H,  
NXHM-63, 125

Rear connection (mm)



NXM-63S/F/H, 125S/F/H, NXMLE-125S/H,  
NXHM-63, 125

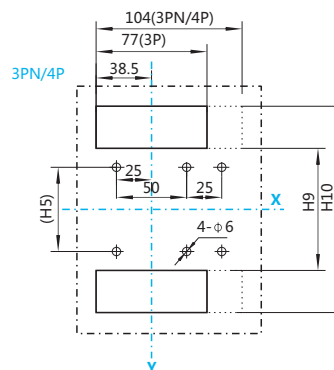
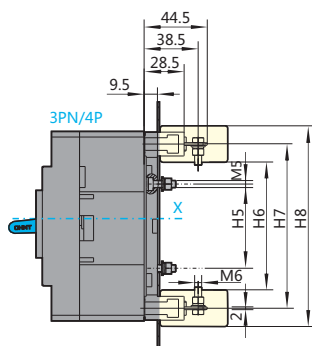
Rear connection (mm)



Specification and model	H2	H3	H4	Remark
NXM-63S/F/H, 125S/F/H	130	114	111	3P/4P
NXMLE-125S/H	150	134	133.6	3P/3PN/4P
NXHM-63, 125	130	114	111	3P/4P

NXM-63S/F/H, 125S/F/H, NXMLE-125S/H,  
NXHM-63, 125

Plug-in rear connection (mm)



Specification and model	H5	H6	H7	H8	H9	H10	Remark
NXM-63S/F/H, 125S/F/H	60	86.5	114	138.5	94	131	3P/4P
NXMLE-125S/H	80	106.5	134	158.5	114	151	3P/3PN/4P
NXHM-63, 125	60	86.5	114	138.5	94	131	3P/4P

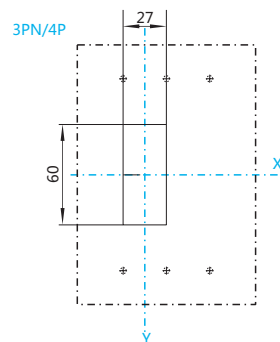
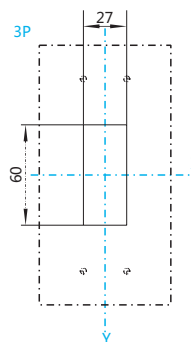
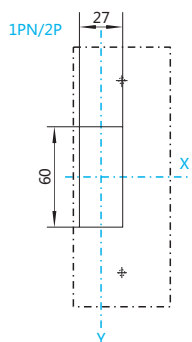
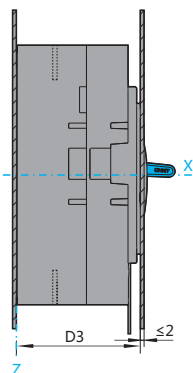
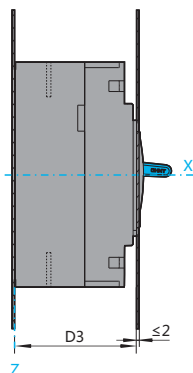
# Dimensions and installation

NXM-63S/F/H, 125S/F/H, NXMLE-125S/H,  
NXHM-63, 125

Cabinet gate hole (small) size (mm)

NXM-63, 125  
NXHM-63, 125

NXMLE-125

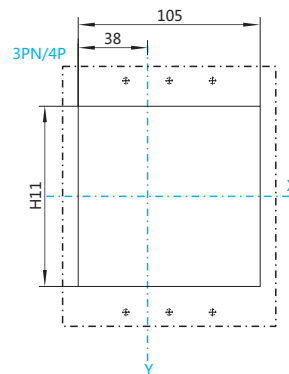
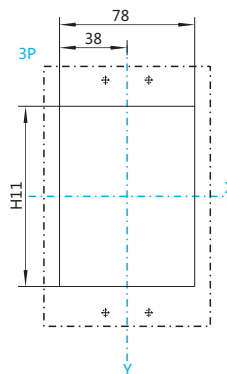
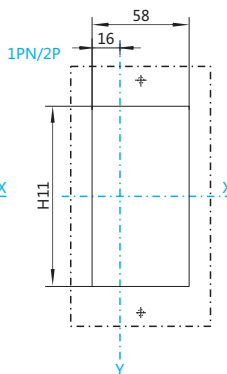
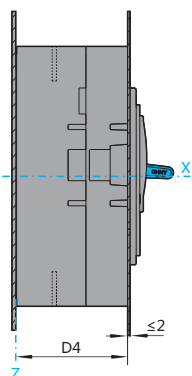
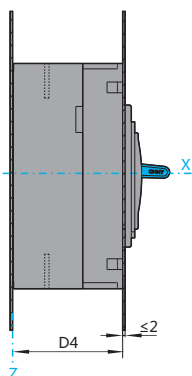


NXM-63S/F/H, 125S/F/H, NXMLE-125S/H,  
NXHM-63, 125

Cabinet gate hole (large) size (mm)

NXM-63, 125  
NXHM-63, 125

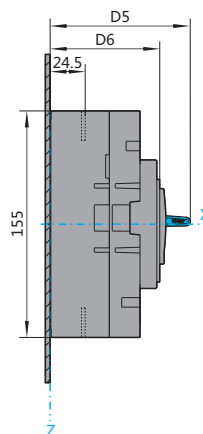
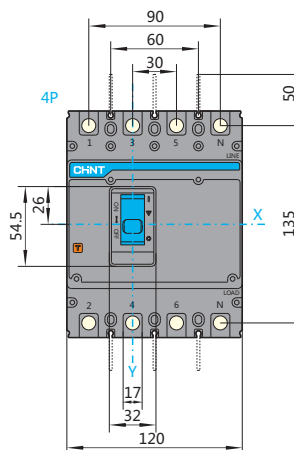
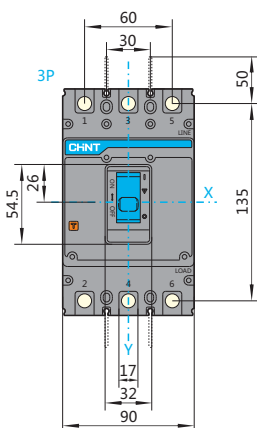
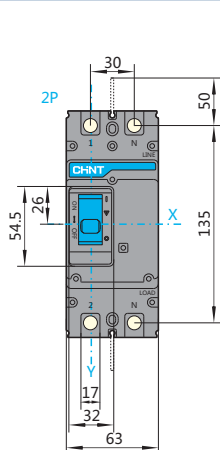
NXMLE-125



Specification and model	D3	D4	H11			Remark
			1PN/2P	3P	3PN/4P	
NXM-63S, 125S	70.5	63.5	84	84	84	2P/3P/4P
NXM-63F/H, 125F/H	80	73	-	84	84	3P/4P
NXMLE-125S	71.5	64.5	104	104	104	1PN/2P/3P/3PN/4P
NXMLE-125H	81	74	-	104	104	3P/3PN/4P
NXHM-63, 125	70.5	63.5	-	84	84	3P/4P

NXM-160S/F/H, NXHM-160

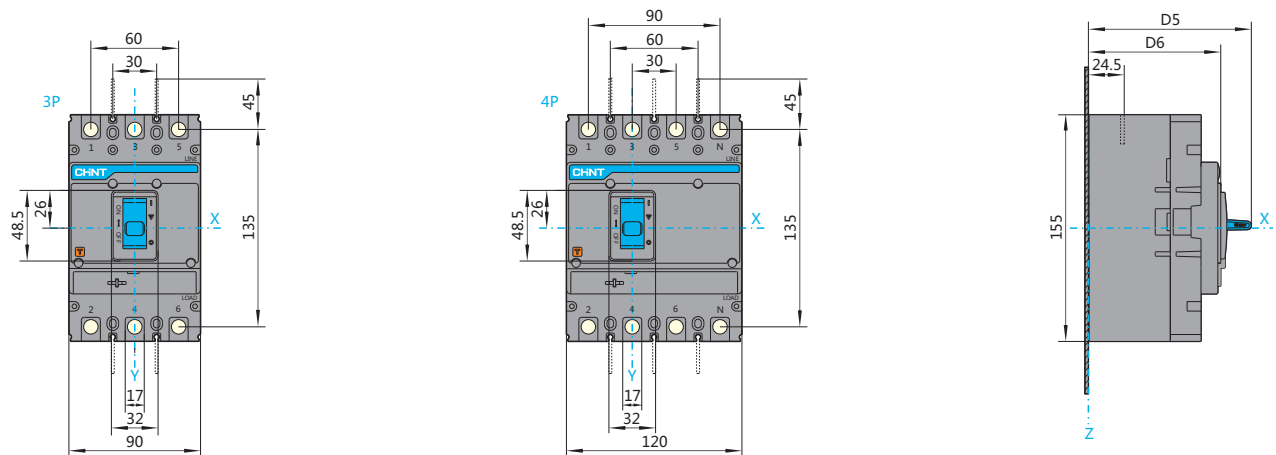
Rear connection, dimension (mm)



# Dimensions and installation

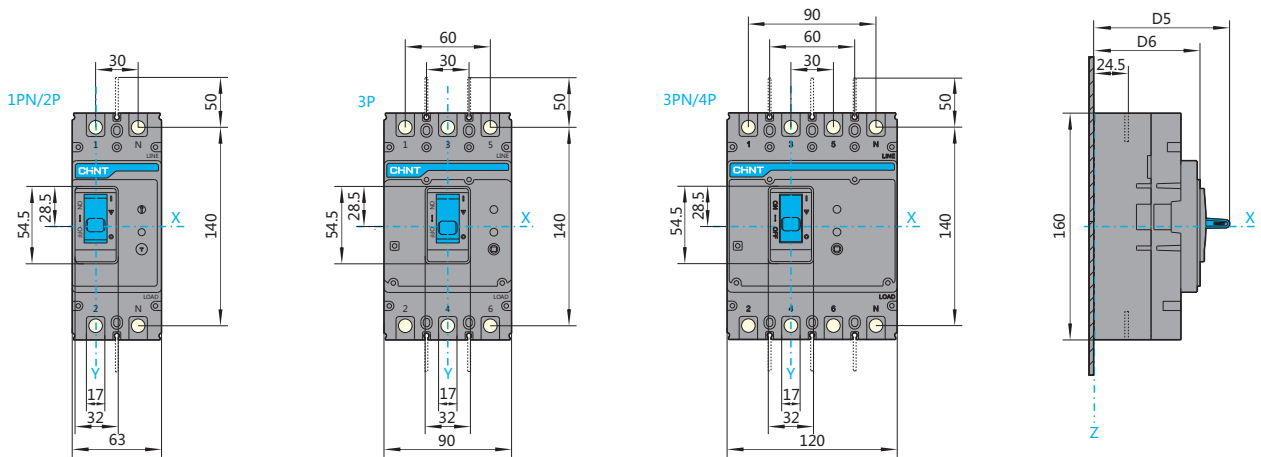
NXMS-160H

Front connection, dimension (mm)



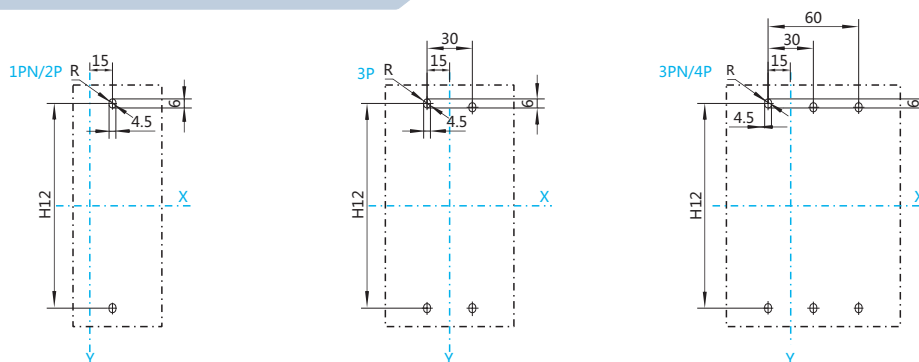
NXMLE-160S/H

Front connection, dimension (mm)



NXM-160S/F/H, NXMS-160H, NXMLE-160S/H, NXHM-160

Installation size of baseplate (mm)

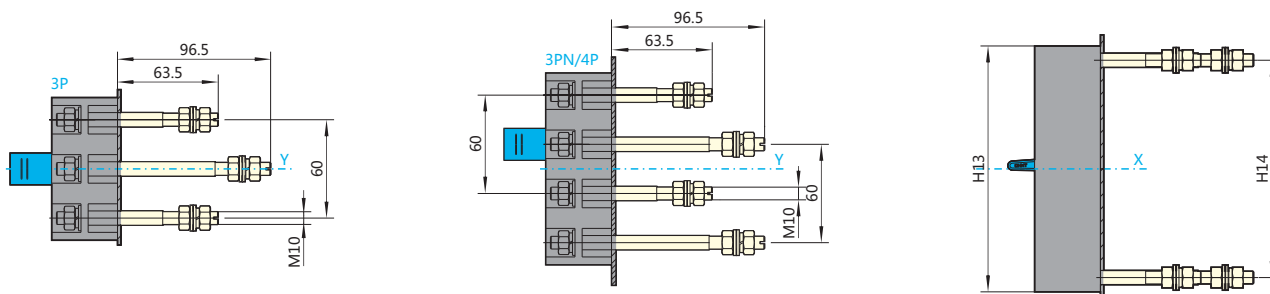


Specification and model	D6	D5	H12			Remark
			1PN/2P	3P	3PN/4P	
NXM-160S	75	96	130.5	130.5	130.5	2P/3P/4P
NXM-160F/H	90.5	112	-	130.5	130.5	3P/4P
NXMS-160H	90.5	112	130.5	130.5	130.5	3P/4P
NXMLE-160S	75	96	-	135.5	135.5	1PN/2P/3P/3PN/4P
NXMLE-160H	90.5	112	-	135.5	135.5	3P/3PN/4P
NXHM-160	90.5	112	-	130.5	130.5	3P/4P

# Dimensions and installation

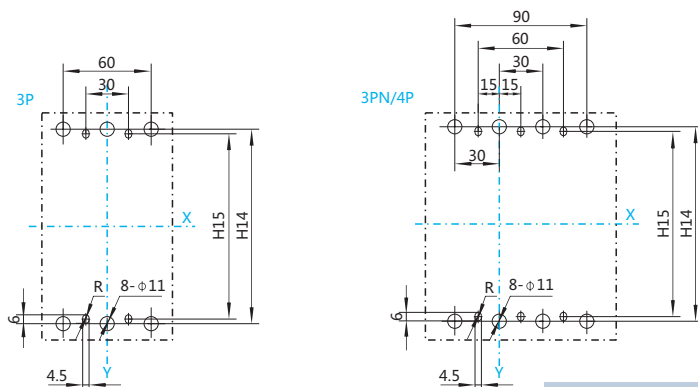
NXM-160E/S/F/H, NXMS-160H, NXMLE-160S/H, NXHM-160

Rear connection, dimension (mm)



NXM-160E/S/F/H, NXMS-160H, NXMLE-160S/H, NXHM-160

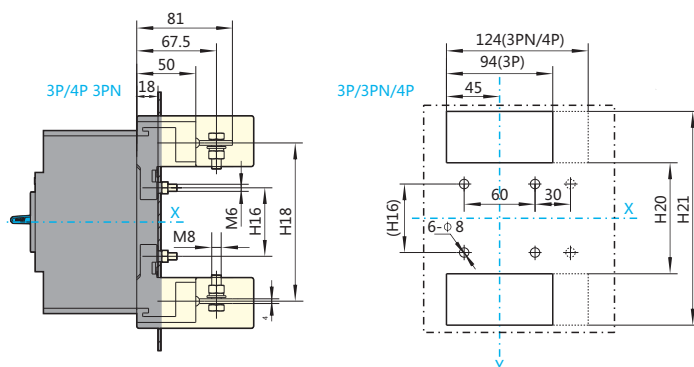
Plug-in rear connection, dimension (mm)



Specification and model	H13	H14	H15	Remark
NXM-160E/S/F/H	155	136	130.5	3P/4P
NXMS-160H	155	136	130.5	3P/4P
NXMLE-160S/H	160	140	135.5	3P/3PN/4P
NXHM-160	155	135	130.5	3P/4P

NXM-160E/S/F/H, NXMS-160H, NXMLE-160S/H, NXHM-160

Plug-in back-panel wiring, outline and installation size (mm)

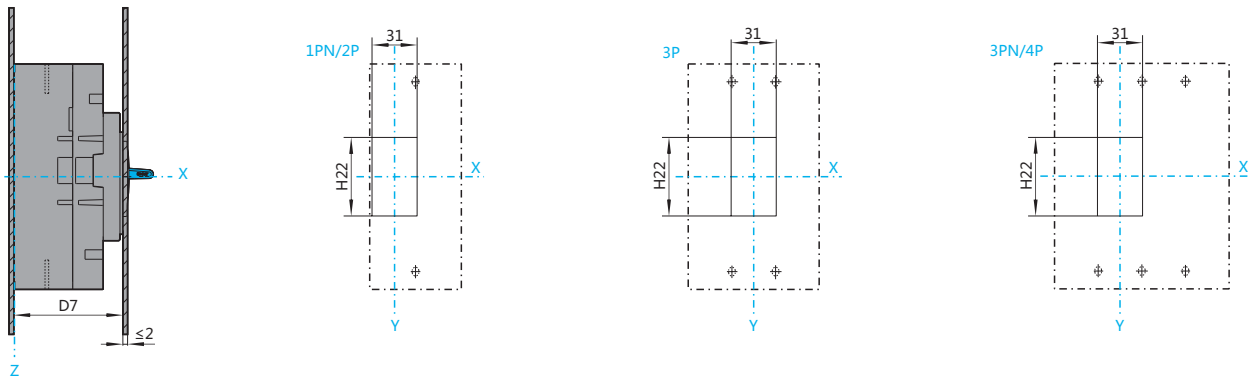


Specification and model	H16	H18	H20	H21	Remark
NXM-160E/S/F/H	67	135	106	167	3P/4P
NXMS-160H	67	135	106	167	3P/4P
NXMLE-160S/H	72	140	111	172	3P/3PN/4P
NXHM-160	67	135	106	167	3P/4P

# Dimensions and installation

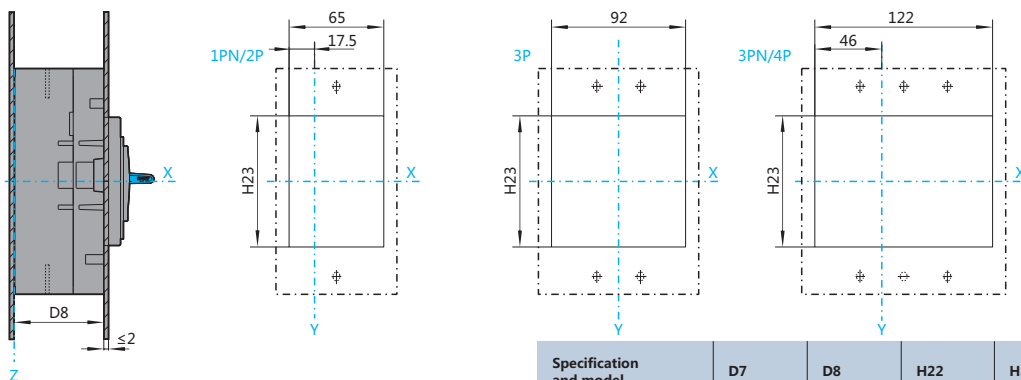
NXM-160E/S/F/H, NXMS-160H, NXMLE-160S/H, NXHM-160

Cabinet gate hole (small size) (mm)



NXM-160E/S/F/H, NXMS-160H, NXMLE-160S/H, NXHM-160

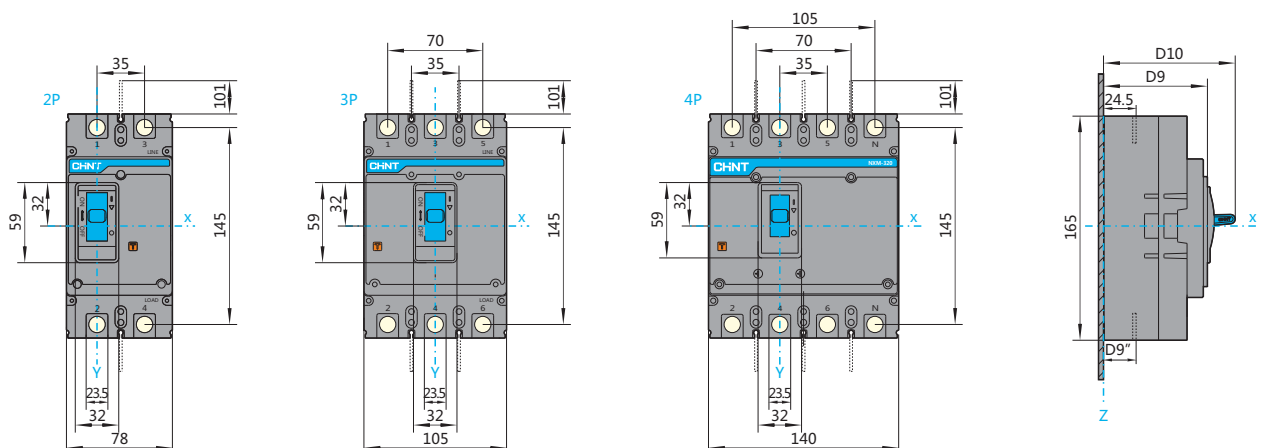
Cabinet gate hole (large size) (mm)



Specification and model	D7	D8	H22	H23	Remark
NXM-160E/S	75	61.5	54	90	2P/3P/4P
NXM-160F/H	90.5	77	54	90	3P/4P
NXMS-160H	90.5	77	48	92	3P/4P
NXMLE-160S	75	61.5	54	95	1PN/2P/3P/3PN/4P
NXMLE-160H	90.5	77	54	95	3P/3PN/4P
NXHM-160	90.5	77	54	90	3P/4P

NXM-250E/S/F/H, 320E/S/F/H, NXHM-250, 320

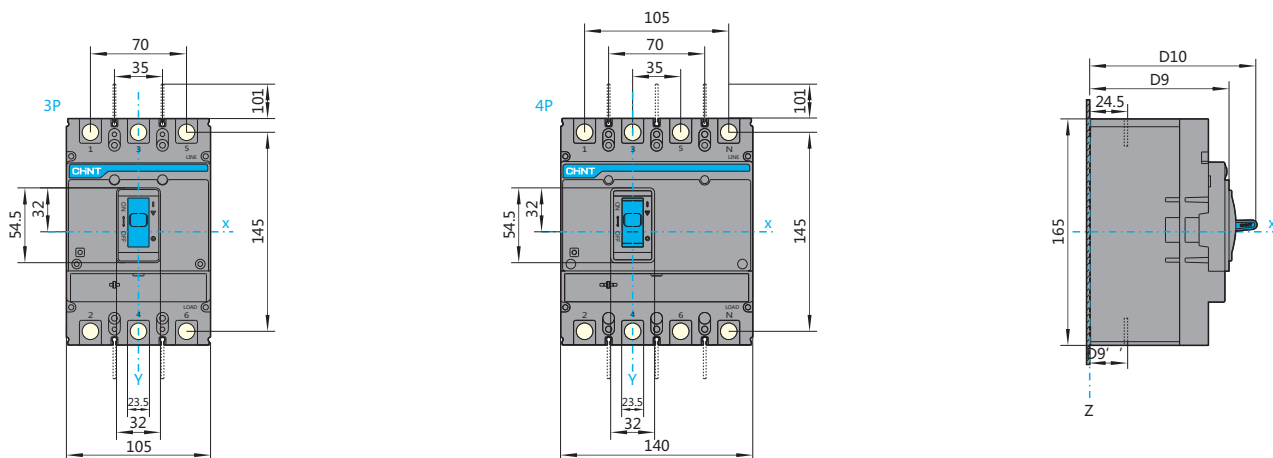
Front connection, dimension (mm)



# Dimensions and installation

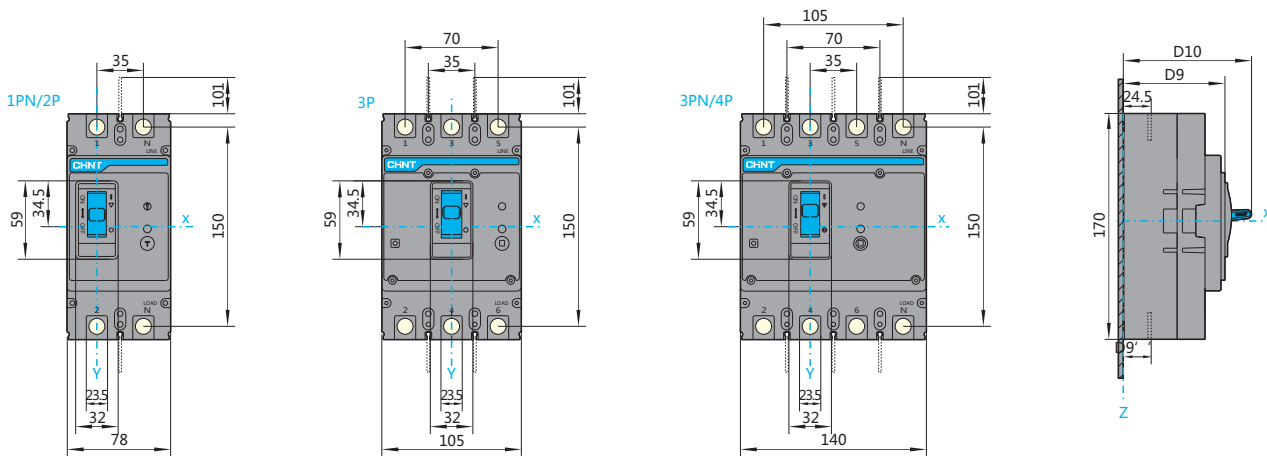
NXMS-250H, 320H

Front connection, dimension (mm)



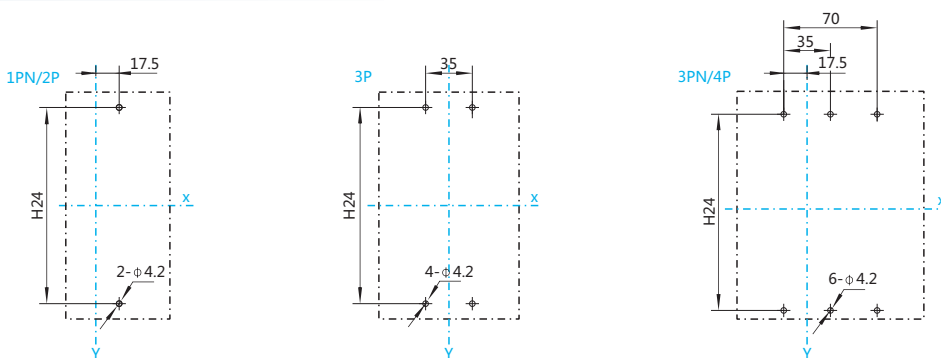
NXMLE-250S/H, 320S/H

Front connection, dimension (mm)



NXM-250E/S/F/H, 320E/S/F/H, NXMS-250H, 320H, NXMLE-250S/H, 320S/H, NXHM-250, 320

Front-panel wiring, installation size (mm)

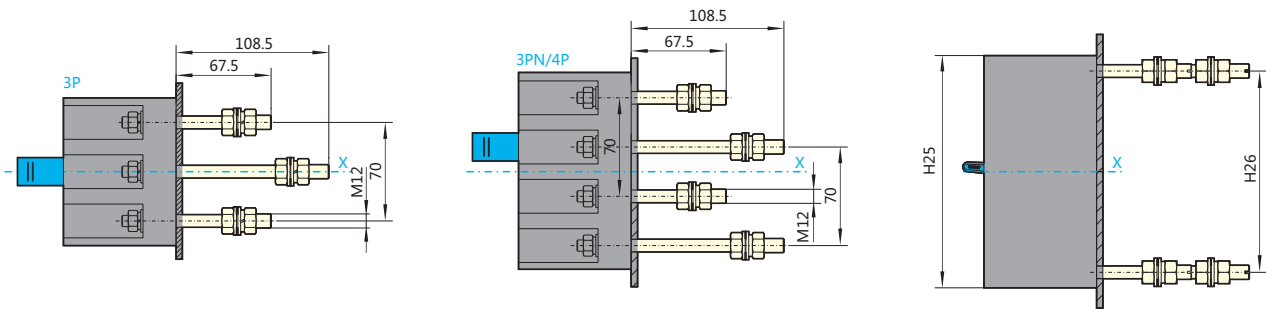


Specification and model	D9	D9'				D10	H24			Remark	
		125/160A	180/200A	225/250A	320A		1PN/2P	3P	3PN/4P		
NXM-250E/S, 320E/S	76.5	23	23.5	24	24.5	97	126	126	126	2P/3P/4P	98
NXM-250F/H, 20F/H	76.5	23	23.5	24	24.5	123	-	126	126	3P/4P	123
NXMS-250H, 320H	76.5	24.5				123	-	126	126	3P/4P	123
NXMLE-250S, 320S	76.5	24.5				98	131	131	131	1PN/2P/3PN/4P	98
NXMLE-250H, 320H	76.5	24.5				101	-	131	131	3P/3PN/4P	101
NXHM-250, 320	76.5	24.5				122	-	126	126	3P/4P	122

# Dimensions and installation

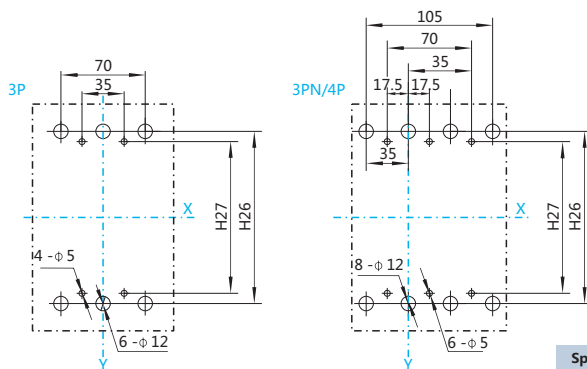
NXM-250E/S/F/H, 320E/S/F/H, NXMS-250H, 320H,  
NXMLE-250S/H, 320S/H, NXHM-250, 320

Installation size of baseplate (mm)



NXM-250E/S/F/H, 320E/S/F/H, NXMS-250H, 320H,  
NXMLE-250S/H, 320S/H, NXHM-250, 320

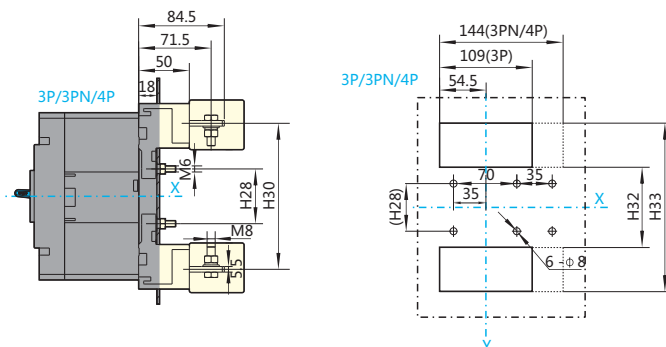
Installation size of baseplate (mm)



Specification and model	H25	H26	H27	Remark
NXM-250E/S/F/H, 320E/S/F/H	165	145	126	3P/4P
NXMS-250H, 320H	165	145	126	3P/4P
NXMLE-250S/H, 320S/H	170	150	131	3P/3PN/4P
NXHM-250, 320	165	145	126	3P/4P

NXM-250E/S/F/H, 320E/S/F/H, NXMS-250H, 320H,  
NXMLE-250S/H, 320S/H, NXHM-250, 320

Plug-in rear connection, dimension (mm)

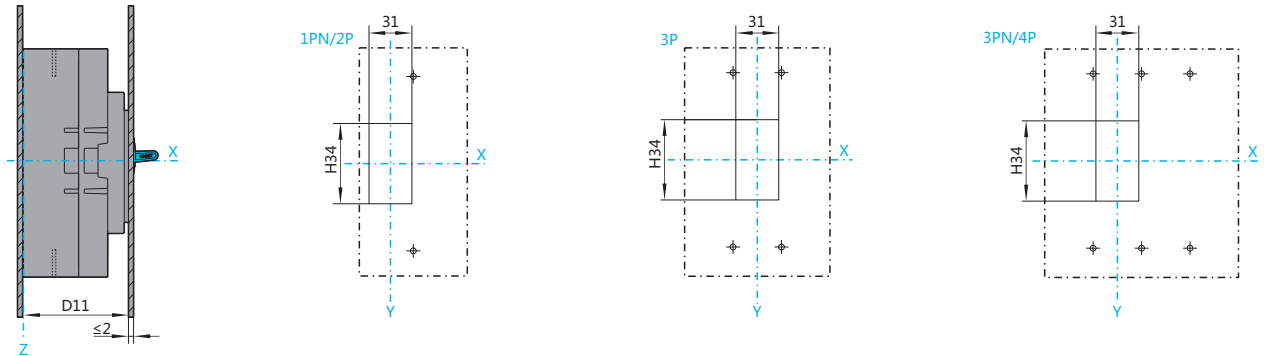


Specification and model	H28	H30	H32	H33	Remark
NXM-250E/S/F/H, 320E/S/F/H	74	139	108	180	3P/4P
NXMS-250H, 320H	74	139	108	180	3P/4P
NXMLE-250S/H, 320S/H	79	144	113	185	3P/3PN/4P
NXHM-250, 320	74	139	108	180	3P/4P

# Dimensions and installation

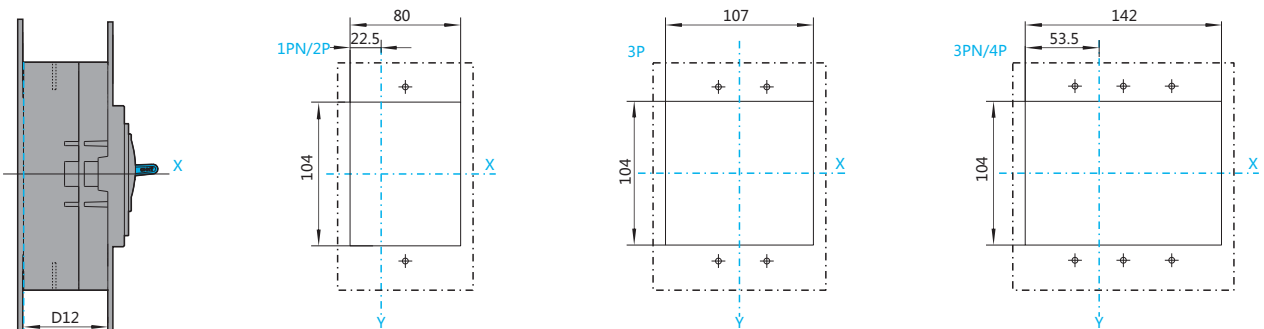
NXM-250E/S/F/H, 320E/S/F/H, NXMS-250H, 320H,  
NXMLE-250S/H, 320S/H, NXHM-250, 320

Cabinet gate hole (small) size (mm)



NXM-250E/S/F/H, 320E/S/F/H, NXMS-250H, 320H,  
NXMLE-250S/H, 320S/H, NXHM-250, 320

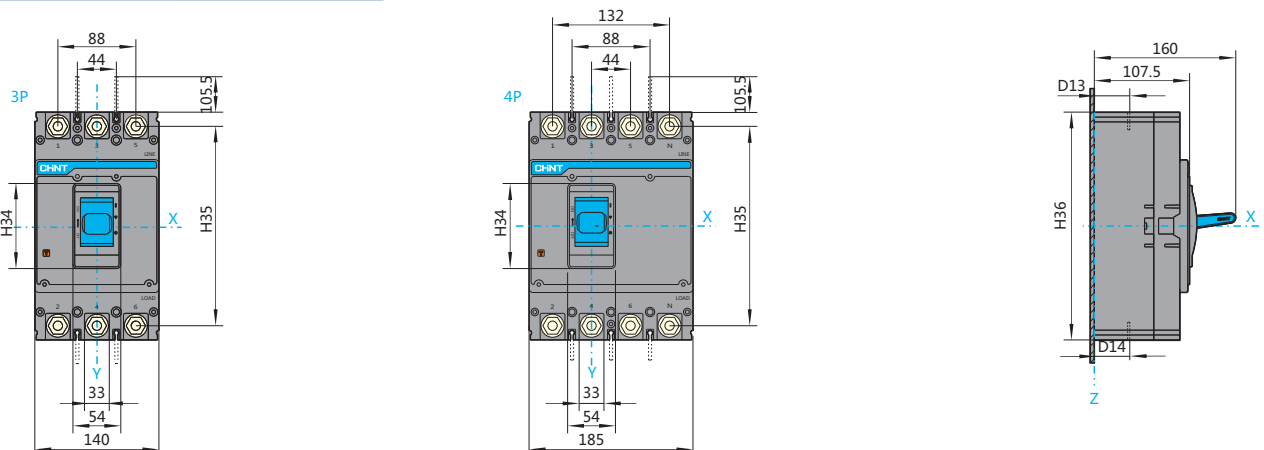
Cabinet gate hole (large) size (mm)



Specification and model	H34	D11	D12	Remark
NXM-250E/S, 320E/S	59	76.5	61.5	2P/3P/4P
NXM-250F/H, 320F/H	59	101.5	86.5	3P/4P
NXMS-250H, 320H	54.5	101.5	86.5	3P/4P
NXMLE-250S, 320S	59	76.5	61.5	1PN/2P/3P/3PN/4P
NXMLE-250H, 320H	59	79.5	64.5	3P/3PN/4P
NXHM-250, 320	59	76.5	61.5	3P/4P

NXM-400S/F/H, 630S/F/H, NXHM-400, 630

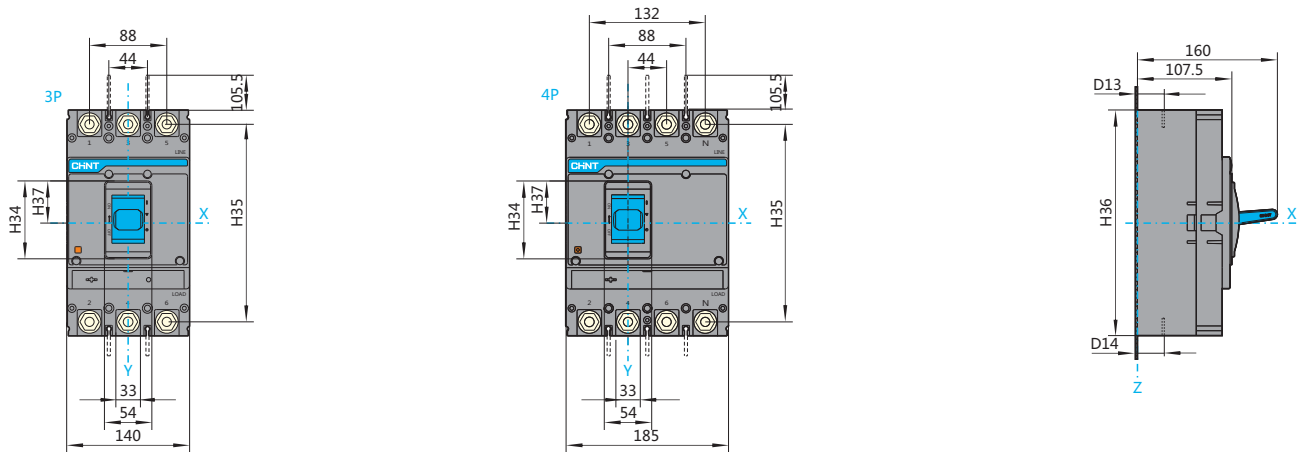
Front connection, dimension (mm)



# Dimensions and installation

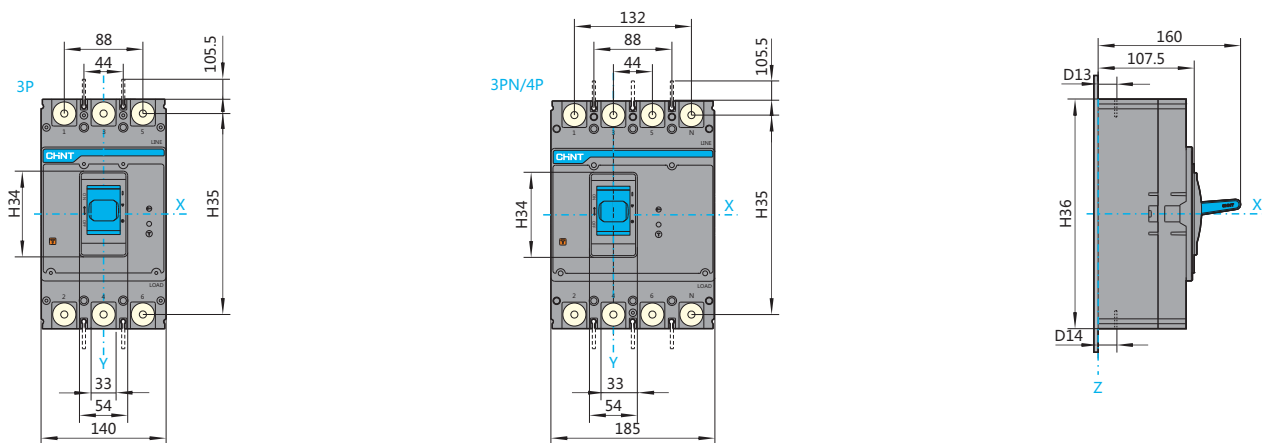
NXMS-400S/F/H, 630S/F/H

Front connection, dimension (mm)



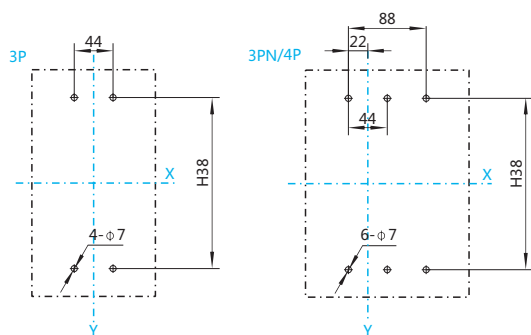
NXMLE-400S/H, 630S/H

Front connection, dimension (mm)



NXM-400S/F/H, 630S/F/H, NXMS-400H, 630H,  
NXMLE-400S/H, 630S/H, NXHM-400, 630

Installation size of baseplate (mm)

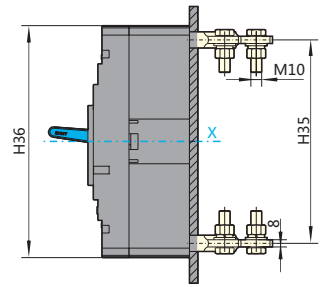
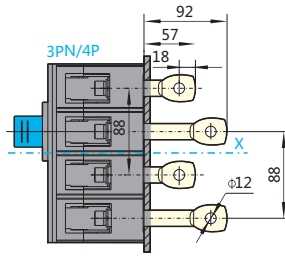
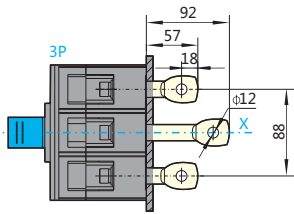


Specification and model	H34	H35	H36	H37	H38	D13	D14	Remark
NXM-400S/F/H NXM-630S/F/H	96	225	257	48	194	39	37	250A-280A
						40	36.8	300A-315A-320A
							37	350A-380A
						37.5	400A-450A	
NXM-400S/F/H NXM-630S/F/H	89	225	257	48	194	41	38.5	500A-550A
						40	40	600A-630A
							37.5	400A
						41	41	630A
NXMLE-400S/H NXMLE-630S/H	96	235	267	53	228	39	38	250A-280A
						40	36.8	300A-315A-320A
							37	350A-380A
						38	400A-450A	
NXHM-400 NXHM-630	96	225	257	48	194	41	39	500A-550A
						40	40	600A-630A
							37.5	400A
						41	40	630A

# Dimensions and installation

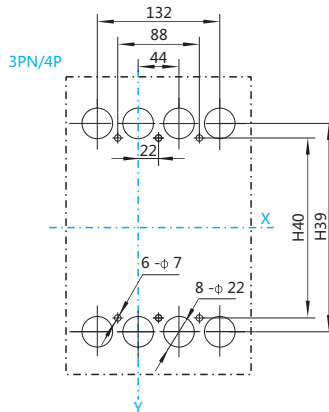
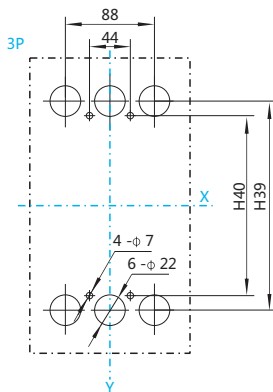
NXM-400S/F/H, 630S/F/H, NXMS-400H, 630H,  
NXMLE-400S/H, 630S/H, NXHM-400, 630

Rear connection, dimension (mm)



NXM-400S/F/H, 630S/F/H, NXMS-400H, 630H,  
NXMLE-400S/H, 630S/H, NXHM-400, 630

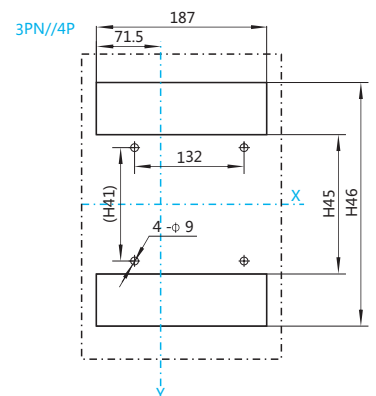
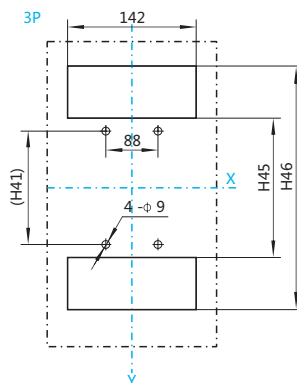
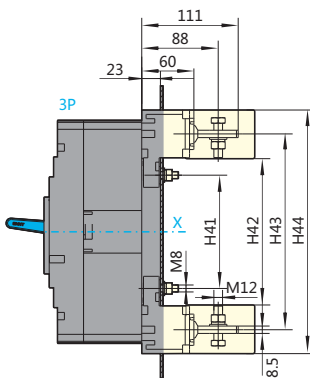
Installation size of baseplate (mm)



Specification and model	H39	H40	Remark
NXM-400S/F/H, 630S/F/H	225	194	3P/4P
NXMS-400S/H, 630S/H	225	194	3P/4P
NXMLE-400S/H	235	228	3P/3PN/4P
NXMLE-630S/H	235	228	3P/3PN/4P
NXHM-400, 630	225	194	3P/4P

NXM-400S/F/H, 630S/F/H, NXMS-400H, 630H,  
NXMLE-400S/H, 630S/H, NXHM-400, 630

Plug-in rear connection, dimension (mm)

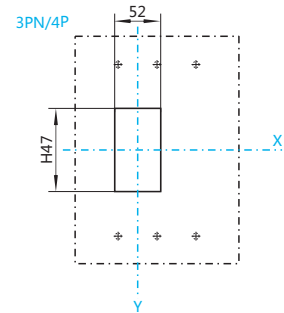
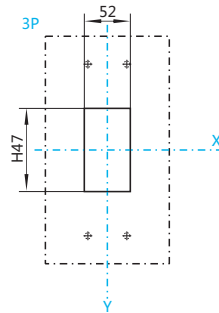
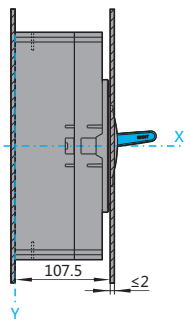


Specification and model	H41	H42	H43	H44	H45	H46	Remark
NXM-400S/F/H, 630S/F/H	145	171	225	281	168	283	3P/4P
NXMS-400S/H, 630S/H	145	171	225	281	168	283	3P/4P
NXMLE-400S/H	155	181	235	291	178	293	3P/3PN/4P
NXMLE-630S/H	155	181	235	291	178	293	3P/3PN/4P
NXHM-400, 630	145	171	225	281	168	283	3P/4P

# Dimensions and installation

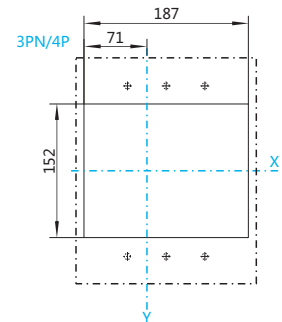
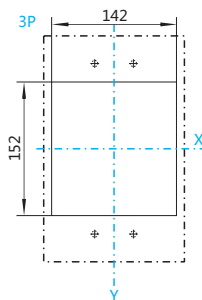
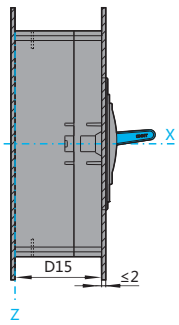
NXM-400S/F/H, 630S/F/H, NXMS-400H, 630H,  
NXMLE-400S/H, 630S/H, NXHM-400, 630

Cabinet gate hole (small) size (mm)



NXM-400S/F/H, 630S/F/H, NXMS-400H, 630H,  
NXMLE-400S/H, 630S/H, NXHM-400, 630

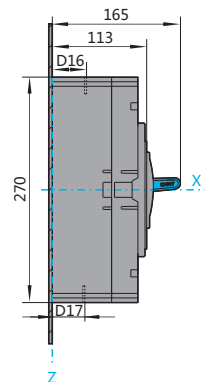
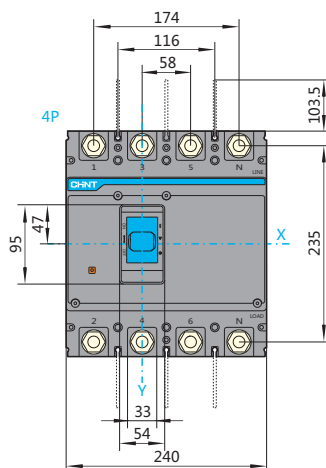
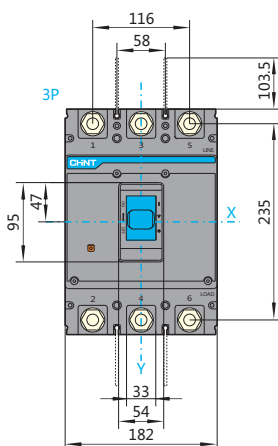
Cabinet gate hole (large) size (mm)



Specification and model	H47	D15	Remark
NXM-400S/F/H, 630S/F/H	94	96.5	3P/4P
NXMS-400S/H, 630S/H	87	96.5	3P/4P
NXMLE-400S/H, 630S/H	94	98.5	3P/3PN/4P
NXHM-400, 630	94	96.5	3P/4P

NXM-800S/H, NXHM-800

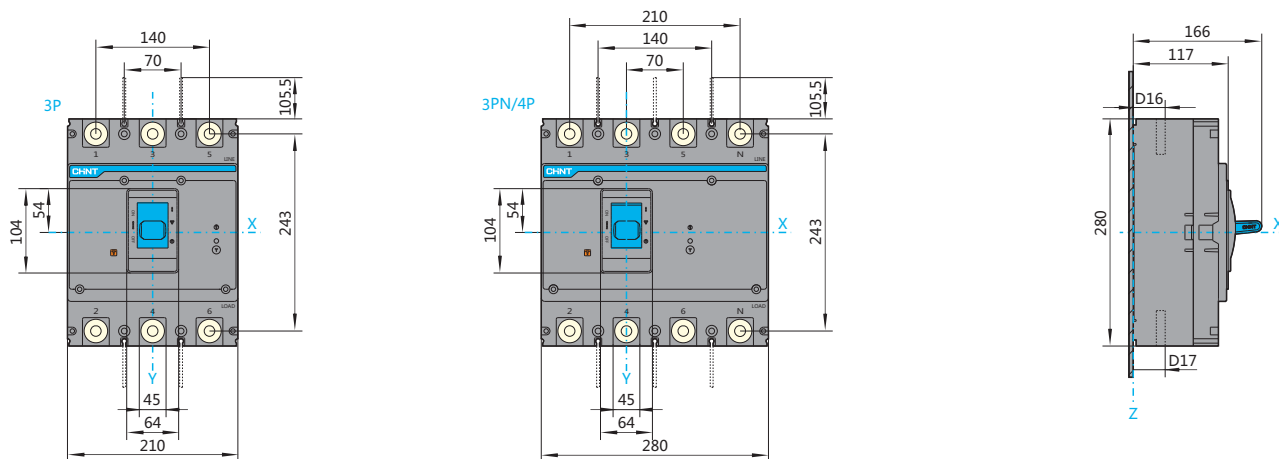
Front connection, dimension (mm)



# Dimensions and installation

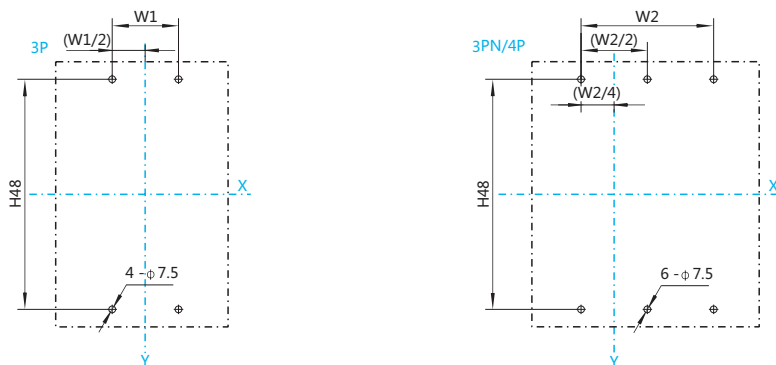
NXMLE-800S/H

Front connection, dimension(mm)



NXM-800S/H, NXMLE-800S/H, NXHM-800

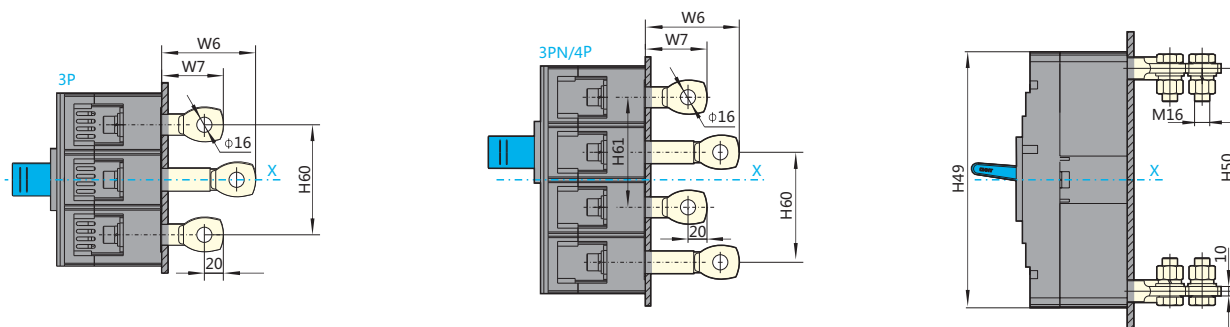
Installation size of baseplate(mm)



Specification and model	D16	D17	H48	W1	W2	Remark
NXM-800S/H NXHM-800	43	41	200	58	116	630A
	44	42	200	58	116	700A
	45	43	200	58	116	800A
NXMLE-800S/H	40	40	243	70	140	630A
	41	41	243	70	140	700/800A

NXM-800S/H, NXMLE-800S/H, NXHM-800

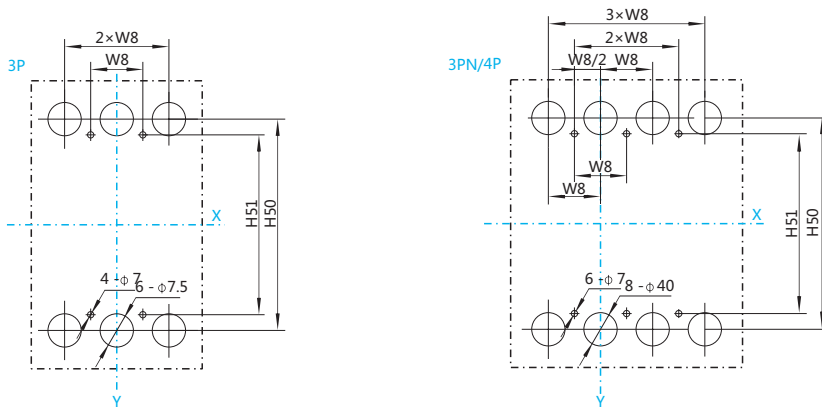
Rear connection, dimension (mm)



# Dimensions and installation

NXM-800S/H, NXMLE-800S/H, NXHM-800

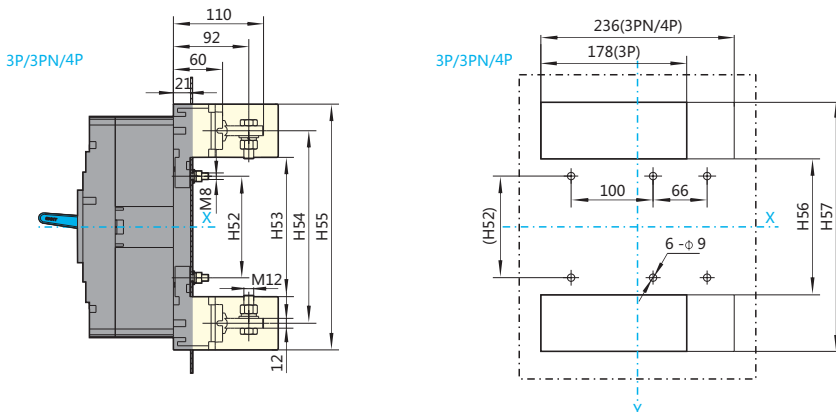
Rear connection, dimension(mm)



Specification and model	W6	W7	W8	H49	H50	H51	H60
NXM-800S/H	99	67	58	270	235	200	116
NXMLE-800S/H	84	84	70	280	243	243	140
NXHM-800	99	67	58	270	235	200	116

NXM-800S/H, NXHM-800

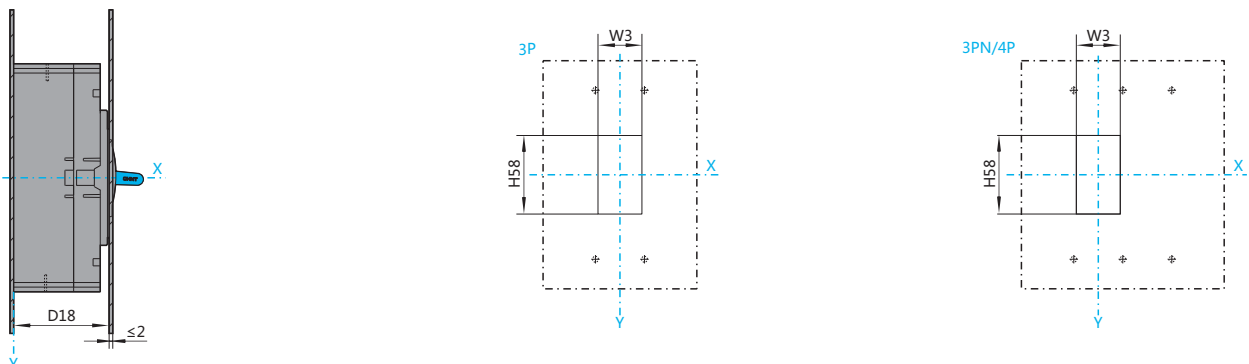
Plug-in rear connection, dimension (mm)



Specification and model	H52	H53	H54	H55	H56	H57	Remark
NXM-800S/H	124	170	235	300	168	302	3P/4P
NXHM-800	124	170	235	300	168	302	3P/4P

NXM-800S/H, NXMLE-800S/H, NXHM-800

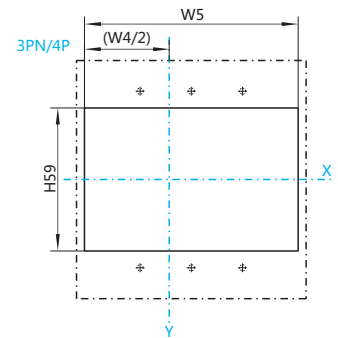
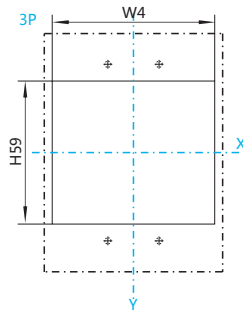
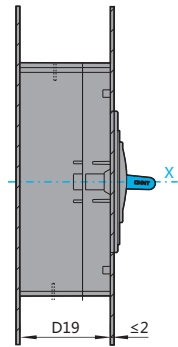
Cabinet gate hole (small) size (mm)



# Dimensions and installation

NXM-800S/H, NXMLE-800S/H, NXHM-800

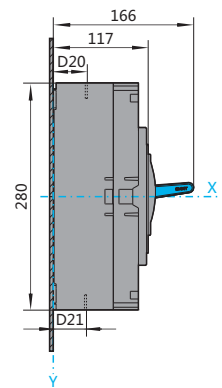
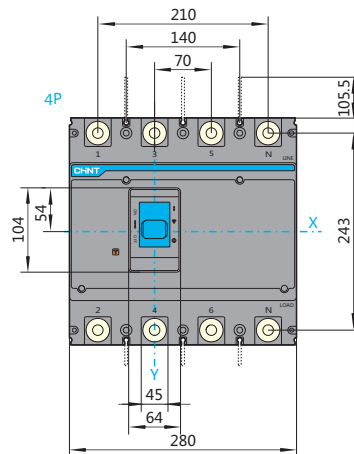
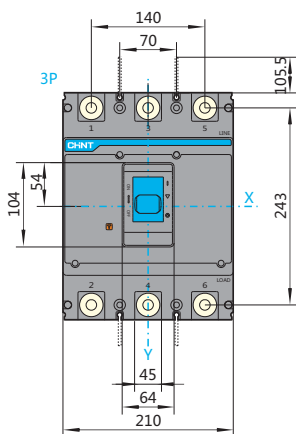
Cabinet gate hole (large) size (mm)



Specification and model	D18	D19	H58	W3	H59	W4	W5	Remark
NXM-800S/H	113	102.5	95	54	162	184	242	3P/4P
NXMLE-800S/H	117	105	104	64	172	212	282	3P/3PN/4P
NXHM-800	113	102.5	95	54	162	184	242	3P/4P

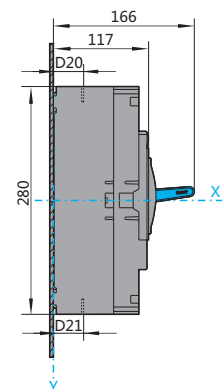
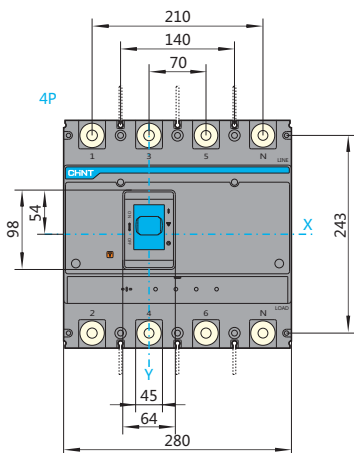
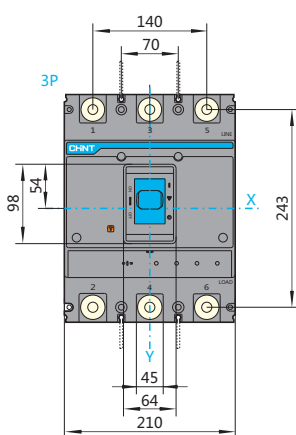
NXM-1000S/H, NXHM-1000

Front connection, dimension (mm)



NXMS-1000S/H

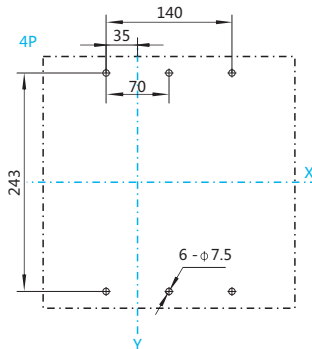
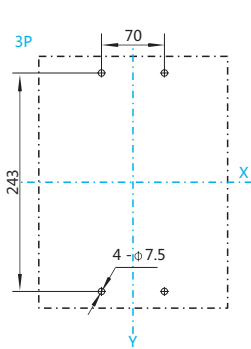
Front connection, dimension (mm)



# Dimensions and installation

NXM-1000S/H, NXMS-1000S/H, NXHM-1000

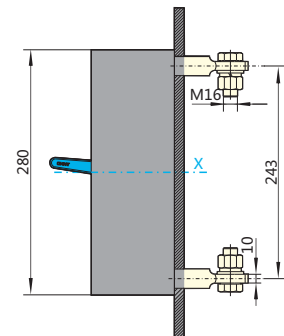
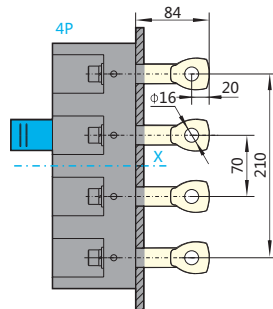
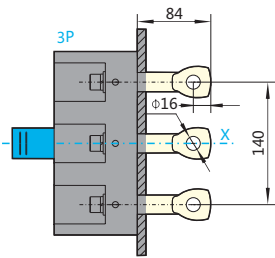
Installation size of baseplate (mm)



Specification and model	D20	D21	Remark
NXM-1000S/H	41	41	800A
NXHM-1000	43	42	1000A
NXMS-1000S/H	43	43	800/1000A

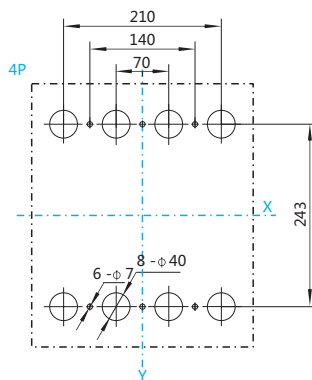
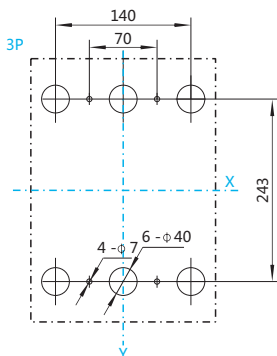
NXM-1000S/H, NXMS-1000S/H, NXHM-1000

Rear connection, dimension (mm)



NXM-1000S/H, NXMS-1000S/H, NXHM-1000

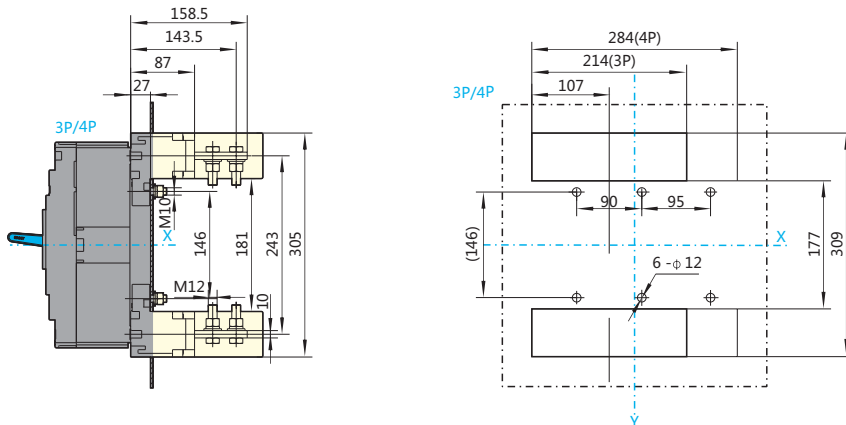
Rear connection, dimension (mm)



# Dimensions and installation

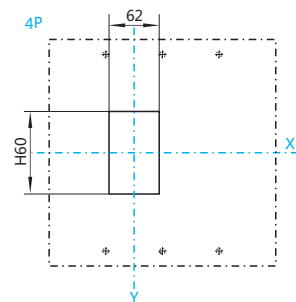
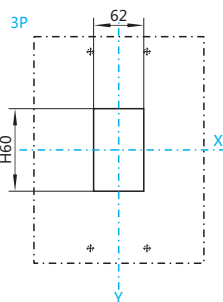
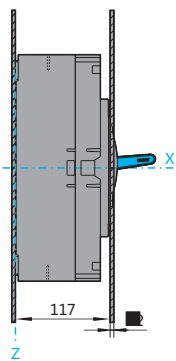
NXM-1000S/H, NXMS-1000S/H,  
NXHM-1000, NXMLE-800S/H

Plug-in rear connection, dimension (mm)



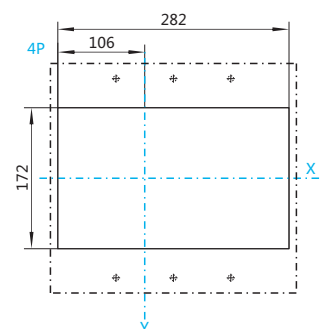
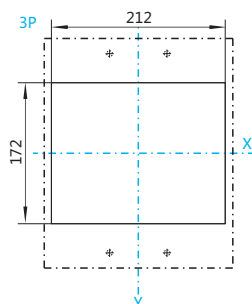
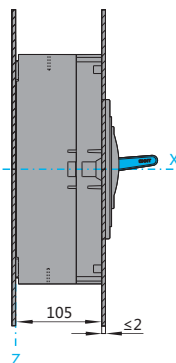
NXM-1000S/H, NXMS-1000S/H,  
NXHM-1000

Cabinet gate hole (small) size (mm)



NXM-1000S/H, NXMS-1000S/H,  
NXHM-1000

Cabinet gate hole (large) size (mm)

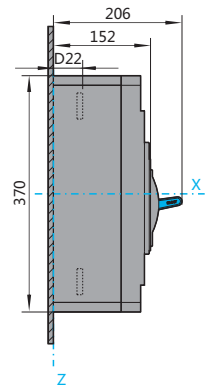
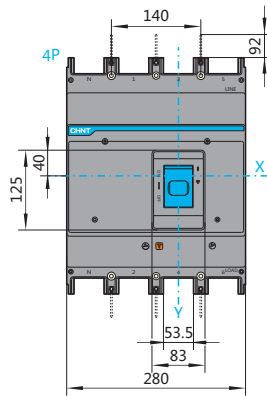
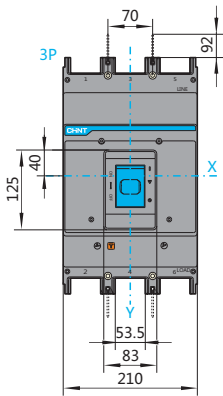


Specification and model	H60	Remark
NXM-1000S/H	102	3P/4P
NXMS-1000S/H	95	3P/4P
NXHM-1000	102	3P/4P

# Dimensions and installation

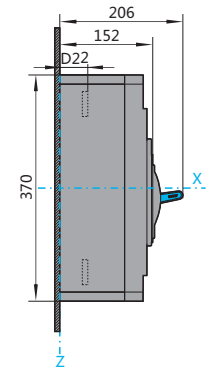
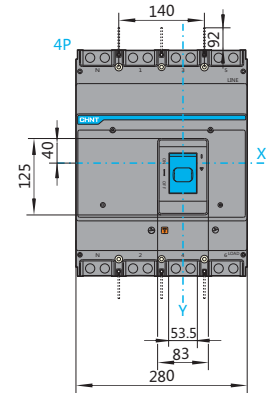
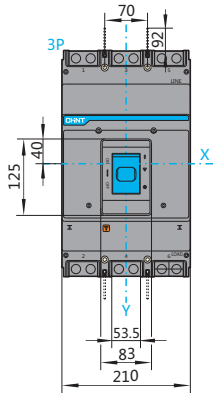
NXM-1600S/H, NXHM-1600

Front connection, dimension (mm)



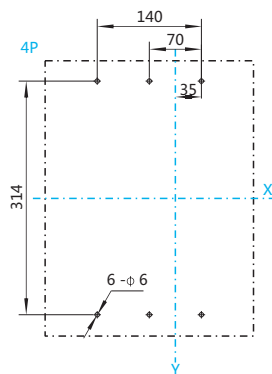
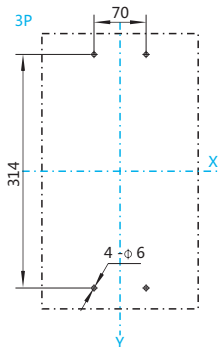
NXMS-1600S/H

Front connection, dimension (mm)



NXM-1600S/H, NXMS-1600S/H, NXHM-1600

Installation size of baseplate (mm)

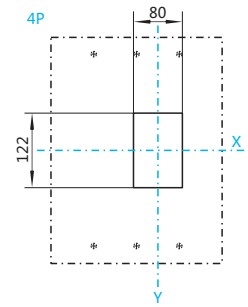
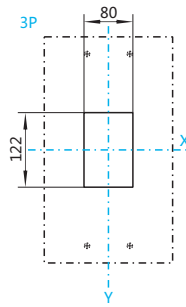
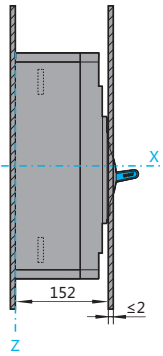


Specification and model	D22	Remark
NXM-1600S/H	55	1000A
	57	1250A
	65	1600A
NXMS-1600S/H	65	1600A

# Dimensions and installation

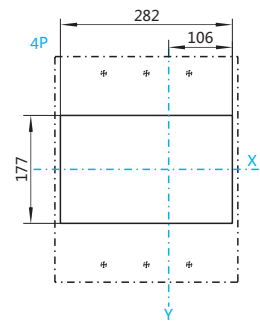
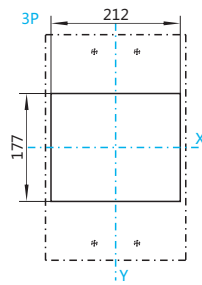
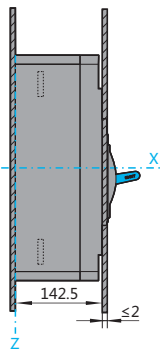
NXM-1600S/H, NXMS-1600S/H/, NXHM-1600

Cabinet gate hole (small) size (mm)



NXM-1600S/H, NXMS-1600S/H/, NXHM-1600

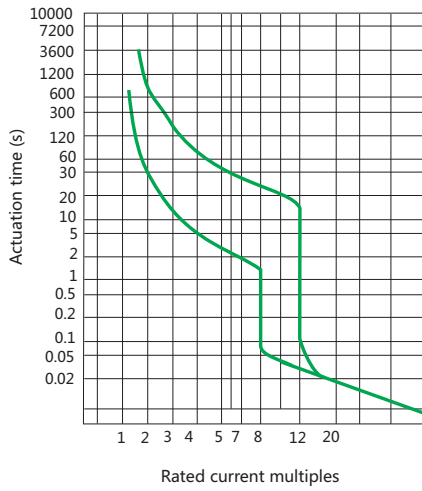
Cabinet gate hole (large) size (mm)



# Tripping curves

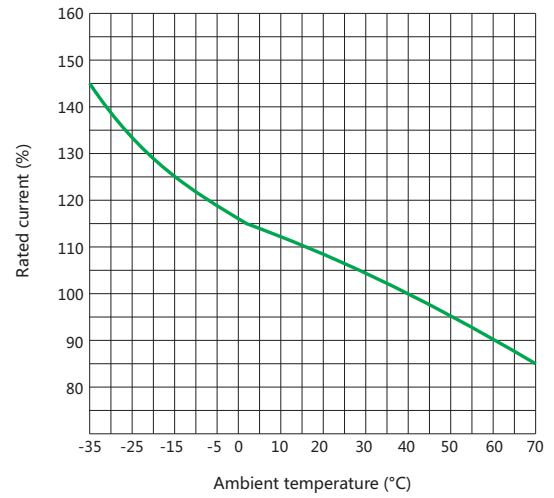
NXM-63

Tripping curve



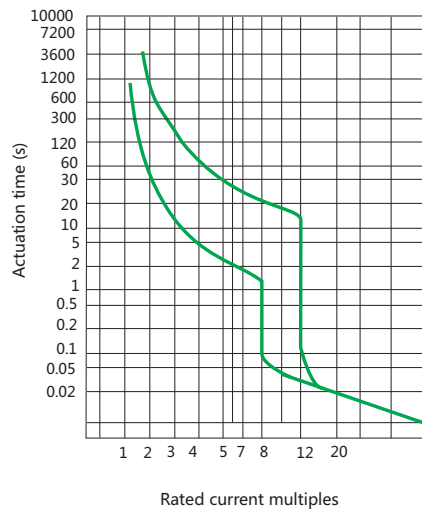
NXM-63

Temperature compensation curve



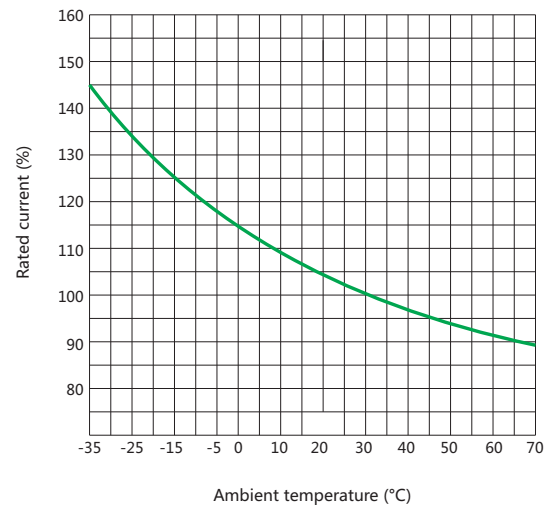
NXM-125, NXMLE-125

Tripping curve



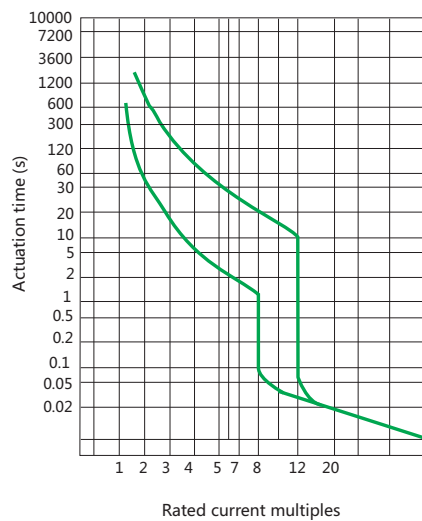
NXM-125, NXMLE-125

Temperature compensation curve



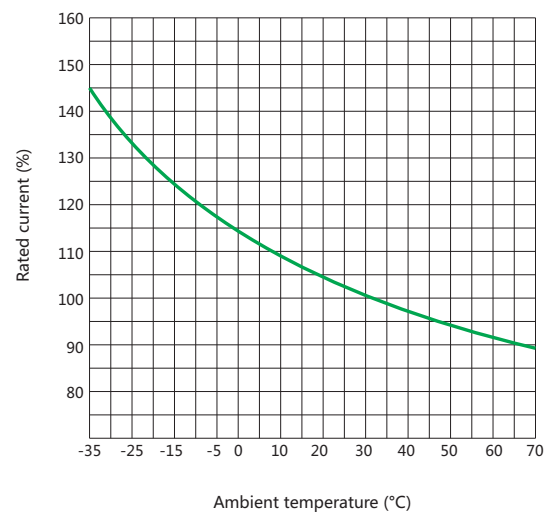
NXM-160, NXMLE-160

Tripping curve



NXM-160, NXMLE-160

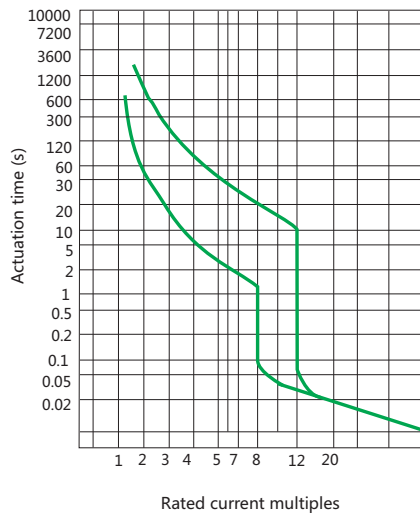
Temperature compensation curve



# Tripping curves

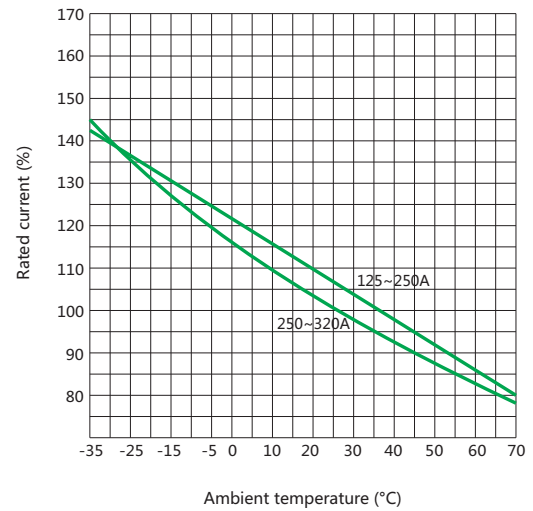
NXM-250/320,  
NXMLE-250/320

Tripping curve



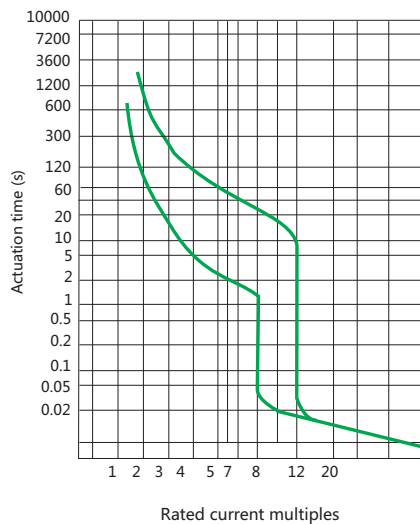
NXM-250/320,  
NXMLE-250/320

Temperature compensation curve



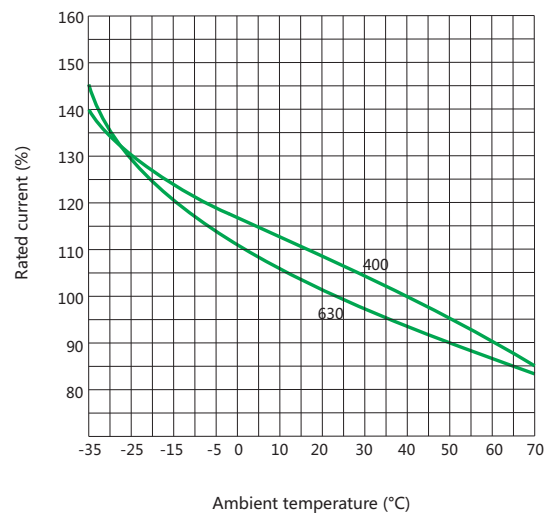
NXM-400/630, NXMLE-400/630

Tripping curve



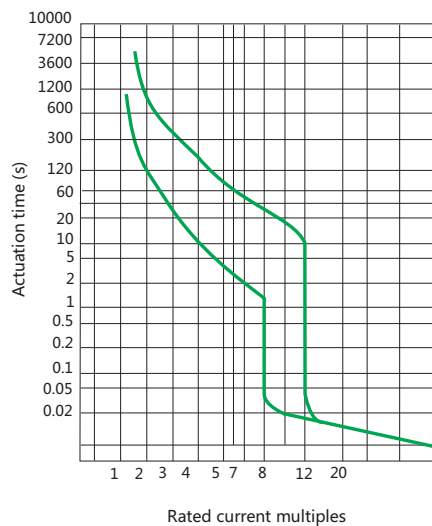
NXM-400/630, NXMLE-400/630

Temperature compensation curve



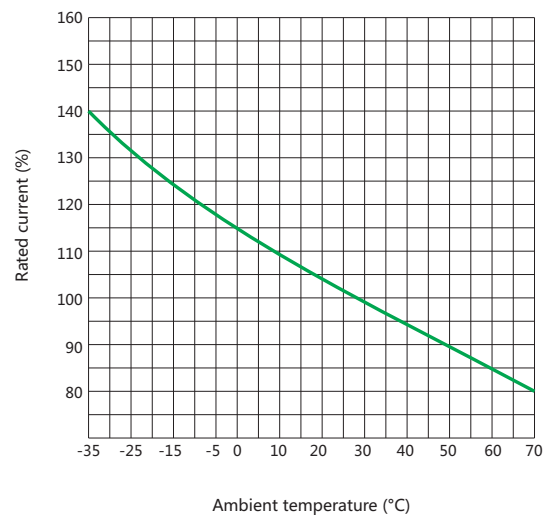
NXM-800, NXMLE-800

Tripping curve



NXM-800

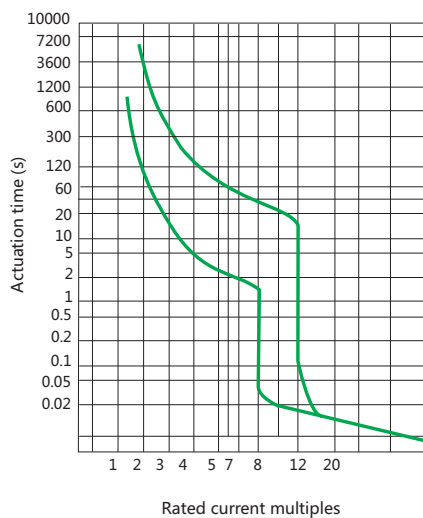
Temperature compensation curve



# Tripping curves

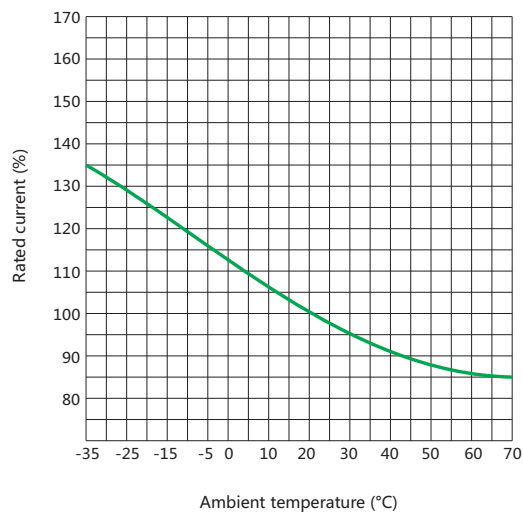
NXM-1000

Tripping curve



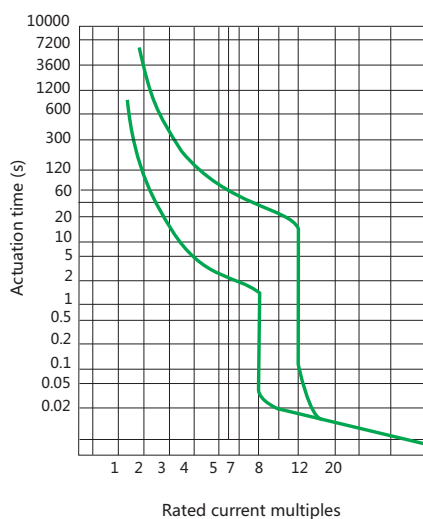
NXM-1000

Temperature compensation curve



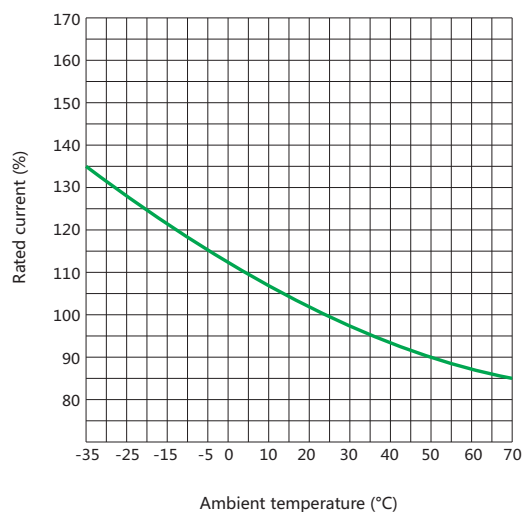
NXM-1600

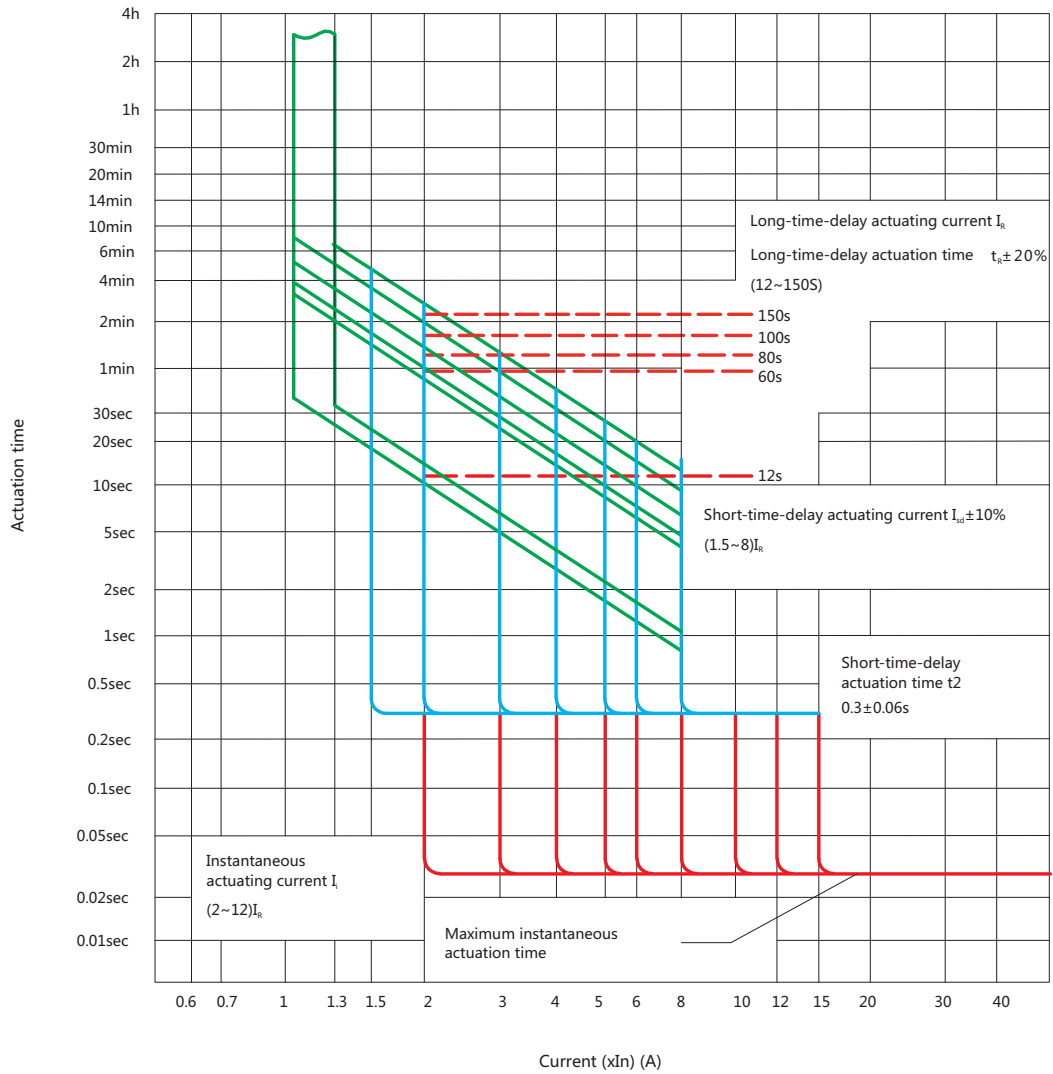
Tripping curve



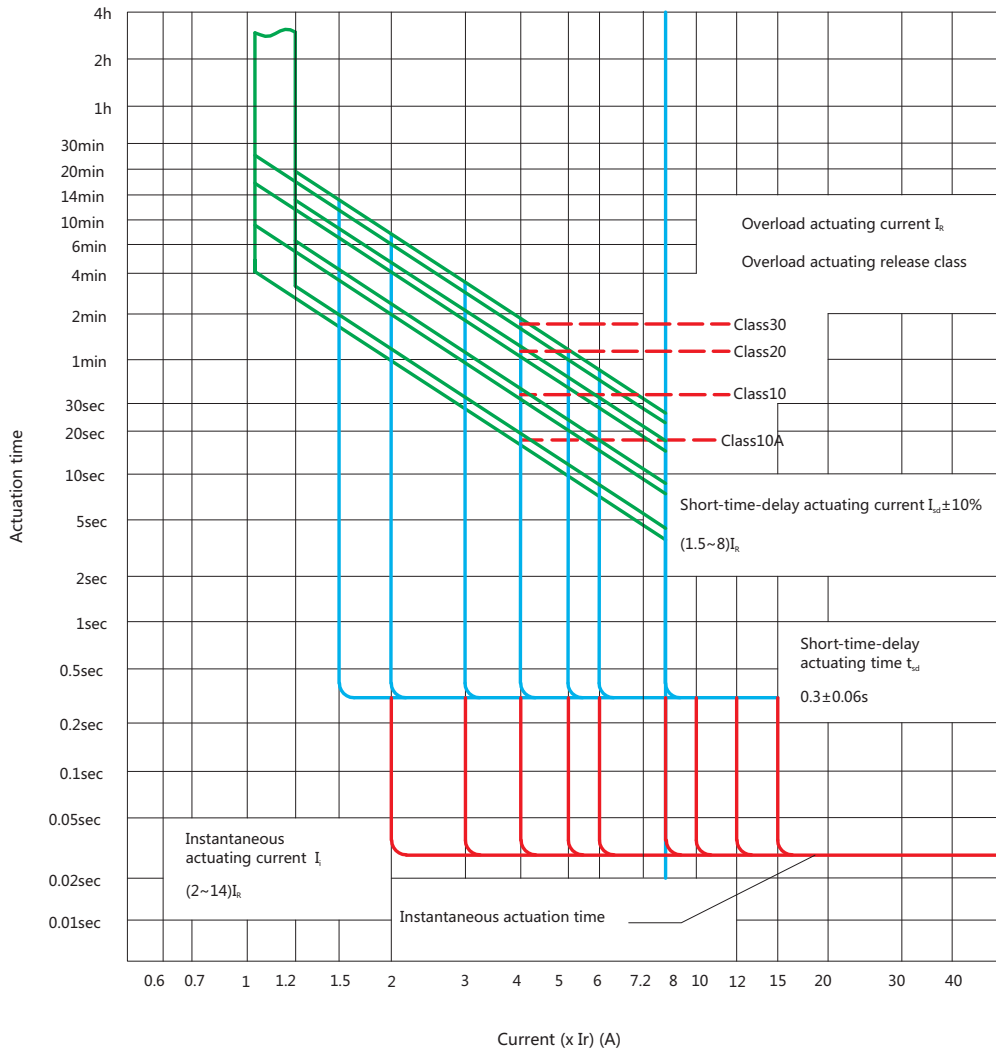
NXM-1600

Temperature compensation curve





# Tripping curves



---

Note

A series of horizontal dashed lines for writing notes.



---

Note

A series of horizontal dashed lines for writing notes.